
INTECH Micro 2300-MULTI



Mixed Inputs and Outputs Station

Overview

The Intech Micro 2300 series is a system of modular I/O Remote Stations, that add an even lower cost option to Intech's already extensive intelligent I/O Remote Station family, which connect automatically to the Intech MicroScan V5 logging plus SCADA software package.

The 2300 series I/O stations are made up of stand-alone Digital and Analogue—Input/Output stations. Communications between the computer running MicroScan V5 and the 2300 series stations is RS485 (1 pair cable) multi drop as standard with an option for TCP.

A 32bit ARM CPU is used in the 2300 series stations to provide high speed data processing and fast communications turn around times. All 2300 series stations have been equipped with status led's which are used to indicate the status of the Inputs or Outputs. This visual indication assists with fault finding and diagnostics.

All the I/O stations clip directly onto an industry standard DIN rail. All stations have a minimum isolation of 1000VAC rms between the field and logic.

Installation Guide

When connecting to MicroScan V5 software

Section A:
2300-MULTI Installation Guide Index.

Section A: Description, Ordering and Specifications.

Index.	Page 2
Features, Description and Ordering Information.	Page 3
Specifications.	Page 4

Section B: Station ID Tables. Page 5

Section C:

Status Indicators. Dimensions.	Page 6
Power and RS485 Comms Wiring.	Page 7
Connection Example Diagram.	Page 7

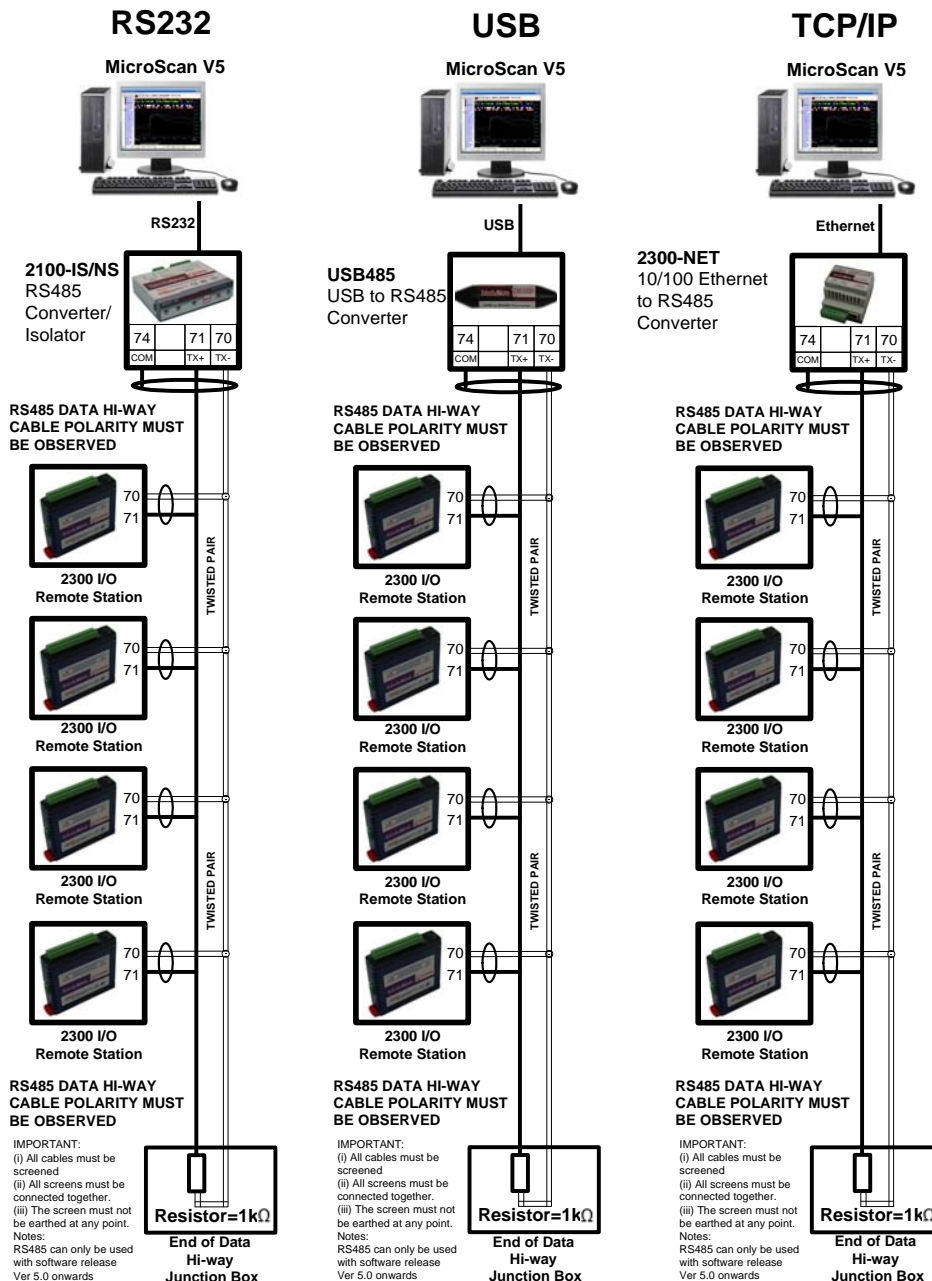
Section D:

Switch Settings.	Page 7
Station Number Programming.	Page 7
MODBUS Applications.	Page 7

Section E: Wiring & Installation

Mounting.	Page 8
Power Supply Wiring.	Page 8
RS422/485 Comms Signal Cabling.	Page 8
Commissioning.	Page 8

Computer to 2300 Series Comms Connections



INTECH Micro 2300-MULTI

2 RTD Inputs, 2 Analogue Inputs, 1
Analogue Output, 4 Digital Inputs,
2 Digital Outputs

Features.

- Mixture of input and output types
- 2 RTD, 2 AI, 1 AO, 4 DI, 2 DO.
- Modbus RTU RS485.
- Easy Programming Via MicroScan Maps.
- Plug-in Connectors Makes Replacement Easy.
- Programmable Station Number.
- Programming Information Retained on Power Down.
- 24 V DC Power Supply.
- Easy to Install.
- Compact DIN Rail Mount Enclosure.



2300 models include:

- 2300-A8I : 8 Current Inputs.
- 2300-A8II : 8 Isolated Current Inputs.
- 2300-A8VI : 8 Isolated Voltage Inputs.
- 2300-Tc8 : 8 Isolated Thermocouple Inputs.
- 2300-RTD6 : 6 RTD Inputs.
- 2300-MULTI : 2 RTD, 2 AI, 1 AO, 4 DI, 2 DO.
- 2300-D16 : 16 Digital Inputs.
- 2300-RO4 : 4 Relay Outputs.
- 2300-NET : Isolated Ethernet to RS485.

Description.

The 2300-MULTI station has a multipurpose combination of inputs and outputs. The station can accommodate either 2 or 3 wire RTD sensors, current (4~20mA) inputs, current (4~20mA) output, and digital inputs and outputs. The station includes 2 RTD Inputs, 2 Analogue Inputs, 1 Analogue Output, 4 Digital Inputs and 2 Digital Outputs.

Ordering Information.



2300-MULTI	2 RTD, 2 AI, 1 AO, 4 DI, 2 DO. RS485 COMMS, Modbus RTU. 24Vdc Power Supply.
Options	Analogue input option : 0~10V DC Analogue output option : 0~10V DC

1.1 Factory Configurations

The Intech Micro 2300 series I/O Remote Stations are factory configured to connect directly to MicroScan V5 software. Only the Station number (station ID) needs to be set via the easily accessible dip switches. No other station settings are required, making the new 2300 series one of the most friendly available. Simply setup the Station number on each 2300 station, install and the MicroScan software will scan the data hi-way and automatically locate each station. All stations will be displayed on a visual map.

1.1.1 I/O Expansion

Expansion is made easy by simply installing another station with a unique station number and instructing MicroScan to find a new station. MicroScan will support up to 127 stations. Although RS485 data hi-way is rated for 1200 metres, it is recommended to use an RS485 booster every 500 metres or between each set of 16 stations. Due to the large variation in site conditions, this advice is based on typical site conditions and does not guarantee no fault operating conditions.

	CAUTION: Dangerous voltages may be present. The 2300-MULTI has no user serviceable parts. Protective enclosure only to be opened by qualified personnel. Remove ALL power sources before removing protective cover.	
---	--	---

Quality Assurance Programme.

The modern technology and strict procedures of the ISO9001 Quality Assurance Programme applied during design, development, production and final inspection grant long term reliability of the instrument. This instrument has been designed and built to comply with EMC and Safety Standards requirements.

2300-MULTI Specifications.

RTD Inputs:	-Input Points	2	-RTD Configuration	2 or 3 Wire
	-Resolution	0.1°C	-Drift	100ppm/°C Typ.
	-Line resistance effect	< 0.1°C balanced	-Max. line resistance	100ohms
	-Isolation	1500Vrms between field and logic		
RTD Type:	-Number	Type	Range	Accuracy
	-1	PT100	-200 to 850°C	± 0.3°CIEC 751:1983
	-2	Ni120	-80 to 320°C	± 0.3°C
	-3	PT1000	-200 to 850°C	± 0.3°C
	-4	Ni1000-DIN	-200 to 850°C	± 0.3°C
	-5	Ni1000-Landys&Gyr	-200 to 850°C	± 0.3°C
	-6	Ohms	10 - 400 ohms	± 0.05%
	-7	Ohms	100-4000ohms	± 0.05%
Current Inputs:	-Input Points	2	-Input Current	0(4)-20 mA
	-Input Resistance	250ohms	-Drift	100ppm/°C
	-Input Type	Range	Resolution	
	-1	0 – 4095	12 bits	
	-2	4-20.000mA	1uA	
	-3	+/-20.000mA	1uA	
	-Accuracy	0.2% of span	-Isolation	1000Vrms between field and logic
Factory Option : Voltage Inputs:	-Input Voltage	0-1 Vdc or 0-10 Vdc	-Input Resistance	190kohms
	-Input Type	Range	Resolution	
	-4	0 – 4095	12 bits	
	-5	0 – 10.000 V	1mV	
	-6	+/- 10.000 V	1mV	
	-7	0 – 1.0000 V	0.1mV	
	-8	+/- 1.0000 V	0.1mV	
	-Drift	100ppm/°C	-Accuracy	0.2% of span
	-Isolation	1000Vrms between field and logic		
Current Output:	-Output Points	1	-Output Current	0(4)-20 mA
	-Output Type	Range	Resolution	
	-1	0 – 4095	12 bits	
	-Drift	100ppm/°C	-Accuracy	0.05% of span
	-Compliance	1000 ohms max. @ 24Vdc	500 ohms max. @ 12Vdc	
Factory Option : Voltage Output:	-Output Voltage	0(2)-10 V		
	-Output Type	Range	Resolution	
	-2	0 – 4095	12 bits	
	-Drift	100ppm/°C	-Accuracy	0.05% of span
	-Compliance	2000 ohms min. Load		
Digital Inputs:	-Input Points	4	-Input Voltage Range	10-26 Vdc
	-Input Current per input	4mA@12Vdc / 8mA @24Vdc		
Counters:	-Inputs	1 to 4	-Resolution	32 Bits
	-Frequency	50 Hz (max)	-Pulse Width	20 ms (min)
Digital Outputs:	-Output Points	2	-Maximum Voltage	36 Vdc
	-Maximum Current	100 mA per output	-Vceon	1.1V Max.
Isolation:	-Between field and logic	1500Vrms between field and logic		
Connectors:	-Logic Power and Comms	4 Pin plug-in connector on side of station		
	-Inputs	18 Way screw plug-in connector on top of station		
Comms:	-Protocols	RS485, Modbus RTU.		
	-Baud Rate	9600.		
	-Format	8 bit, No Parity, 1 Stop.		
Power Supply:	-Logic Supply Voltage	12-24 Vdc		
	-Logic Supply Current	87mA @ 12V / 45mA @ 24V		
Safety and EMC Compliances:	EMC Compliance	89/336/EEC and Low Voltage Equipment Directive 73/23/EEC.		
	Safety Compliance	IEC 950.		
General Specifications: (Unless otherwise stated in other input specifications.)	Operating Temperature	-10-50°C.	Storage Temperature	-40-85°C.
	Operating Humidity	Up to 95% non condensing.		
Housing	-Dimensions	L=97.5, W=22.6, H=109mm.	-Mounting	35mm Symmetrical Mounting Rail.

Note 1. Contact INTECH INSTRUMENTS for more detailed programming information.

Product Liability. This information describes our products. It does not constitute guaranteed properties and is not intended to affirm the suitability of a product for a particular application. Due to ongoing research and development, designs, specifications, and documentation are subject to change without notification. Regrettably, omissions and exceptions cannot be completely ruled out. No liability will be accepted for errors, omissions or amendments to this specification. Technical data are always specified by their average values and are based on Standard Calibration Units at 25C, unless otherwise specified. Each product is subject to the 'Conditions of Sale'.

Warning: These products are not designed for use in, and should not be used for patient connected applications. In any critical installation an independent fail-safe back-up system must always be implemented.

Section B:
Station ID Table.

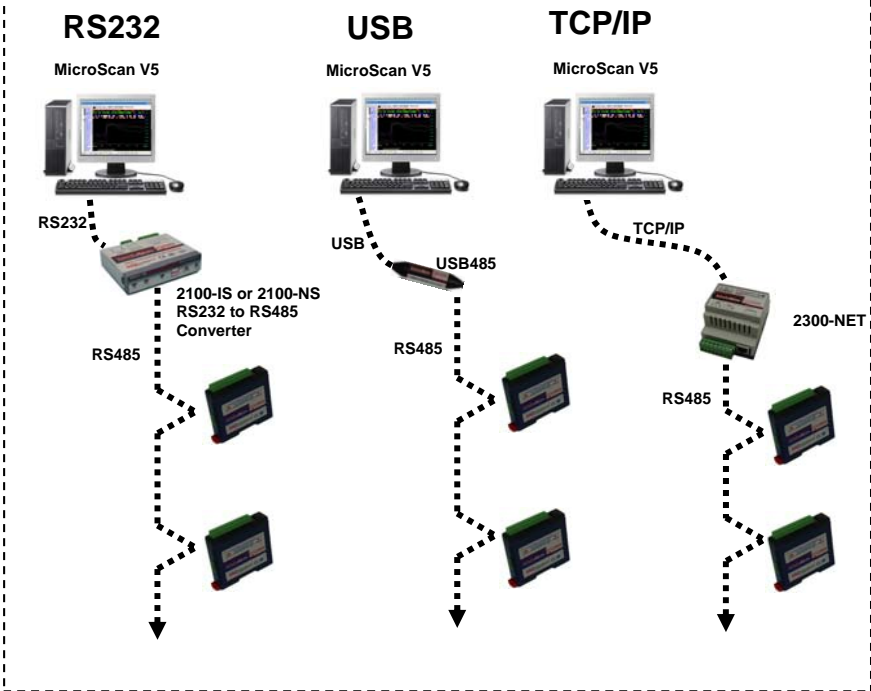
The following table assists with the setting up of DIP switches for the required Station ID (Station number).

STATION ID	DIP SWITCH SETTINGS						
	SW1	SW2	SW3	SW4	SW5	SW6	SW7
0	OFF	OFF	OFF	OFF	OFF	OFF	OFF
1	ON	OFF	OFF	OFF	OFF	OFF	OFF
2	OFF	ON	OFF	OFF	OFF	OFF	OFF
3	ON	ON	OFF	OFF	OFF	OFF	OFF
4	OFF	OFF	ON	OFF	OFF	OFF	OFF
5	ON	OFF	ON	OFF	OFF	OFF	OFF
6	OFF	ON	ON	OFF	OFF	OFF	OFF
7	ON	ON	ON	OFF	OFF	OFF	OFF
8	OFF	OFF	OFF	ON	OFF	OFF	OFF
9	ON	OFF	OFF	ON	OFF	OFF	OFF
10	OFF	ON	OFF	ON	OFF	OFF	OFF
11	ON	ON	OFF	ON	OFF	OFF	OFF
12	OFF	OFF	ON	ON	OFF	OFF	OFF
13	ON	OFF	ON	ON	OFF	OFF	OFF
14	OFF	ON	ON	ON	OFF	OFF	OFF
15	ON	ON	ON	ON	OFF	OFF	OFF
16	OFF	OFF	OFF	OFF	ON	OFF	OFF
17	ON	OFF	OFF	OFF	ON	OFF	OFF
18	OFF	ON	OFF	OFF	ON	OFF	OFF
19	ON	ON	OFF	OFF	ON	OFF	OFF
20	OFF	OFF	ON	OFF	ON	OFF	OFF
21	ON	OFF	ON	OFF	ON	OFF	OFF
22	OFF	ON	ON	OFF	ON	OFF	OFF
23	ON	ON	ON	OFF	ON	OFF	OFF
24	OFF	OFF	OFF	ON	ON	OFF	OFF
25	ON	OFF	OFF	ON	ON	OFF	OFF
26	OFF	ON	OFF	ON	ON	OFF	OFF
27	ON	ON	OFF	ON	ON	OFF	OFF
28	OFF	OFF	ON	ON	ON	OFF	OFF
29	ON	OFF	ON	ON	ON	OFF	OFF
30	OFF	ON	ON	ON	ON	OFF	OFF
31	ON	ON	ON	ON	ON	OFF	OFF
32	OFF	OFF	OFF	OFF	OFF	ON	OFF
33	ON	OFF	OFF	OFF	OFF	ON	OFF
34	OFF	ON	OFF	OFF	OFF	ON	OFF
35	ON	ON	OFF	OFF	OFF	ON	OFF
36	OFF	OFF	ON	OFF	OFF	ON	OFF
37	ON	OFF	ON	OFF	OFF	ON	OFF
38	OFF	ON	ON	OFF	OFF	ON	OFF
39	ON	ON	ON	OFF	OFF	ON	OFF
40	OFF	OFF	OFF	ON	OFF	ON	OFF
41	ON	OFF	OFF	ON	OFF	ON	OFF
42	OFF	ON	OFF	ON	OFF	ON	OFF
43	ON	ON	OFF	ON	OFF	ON	OFF
44	OFF	OFF	ON	ON	OFF	ON	OFF
45	ON	OFF	ON	ON	OFF	ON	OFF
46	OFF	ON	ON	ON	OFF	ON	OFF
47	ON	ON	ON	ON	OFF	ON	OFF
48	OFF	OFF	OFF	OFF	ON	ON	OFF
49	ON	OFF	OFF	OFF	ON	ON	OFF
50	OFF	ON	OFF	OFF	ON	ON	OFF

STATION ID	DIP SWITCH SETTINGS						
	SW1	SW2	SW3	SW4	SW5	SW6	SW7
51	ON	ON	OFF	OFF	ON	ON	OFF
52	OFF	OFF	ON	OFF	ON	ON	OFF
53	ON	OFF	ON	OFF	ON	ON	OFF
54	OFF	ON	ON	OFF	ON	ON	OFF
55	ON	ON	ON	OFF	ON	ON	OFF
56	OFF	OFF	OFF	ON	ON	ON	OFF
57	ON	OFF	OFF	ON	ON	ON	OFF
58	OFF	ON	OFF	ON	ON	ON	OFF
59	ON	ON	OFF	ON	ON	ON	OFF
60	OFF	OFF	ON	ON	ON	ON	OFF
61	ON	OFF	ON	ON	ON	ON	OFF
62	OFF	ON	ON	ON	ON	ON	OFF
63	ON	ON	ON	ON	ON	ON	OFF
64	OFF	OFF	OFF	OFF	OFF	OFF	ON
65	ON	OFF	OFF	OFF	OFF	OFF	ON
66	OFF	ON	OFF	OFF	OFF	OFF	ON
67	ON	ON	OFF	OFF	OFF	OFF	ON
68	OFF	OFF	ON	OFF	OFF	OFF	ON
69	ON	OFF	ON	OFF	OFF	OFF	ON
70	OFF	ON	ON	OFF	OFF	OFF	ON
71	ON	ON	ON	OFF	OFF	OFF	ON
72	OFF	OFF	OFF	ON	OFF	OFF	ON
73	ON	OFF	OFF	ON	OFF	OFF	ON
74	OFF	ON	OFF	ON	OFF	OFF	ON
75	ON	ON	OFF	ON	OFF	OFF	ON
76	OFF	OFF	ON	ON	OFF	OFF	ON
77	ON	OFF	ON	ON	OFF	OFF	ON
78	OFF	ON	ON	ON	OFF	OFF	ON
79	ON	ON	ON	ON	OFF	OFF	ON
80	OFF	OFF	OFF	OFF	ON	OFF	ON
81	ON	OFF	OFF	OFF	ON	OFF	ON
82	OFF	ON	OFF	OFF	ON	OFF	ON
83	ON	ON	OFF	OFF	ON	OFF	ON
84	OFF	OFF	ON	OFF	ON	OFF	ON
85	ON	OFF	ON	OFF	ON	OFF	ON
86	OFF	ON	ON	OFF	ON	OFF	ON
87	ON	ON	ON	OFF	ON	OFF	ON
88	OFF	OFF	OFF	ON	ON	OFF	ON
89	ON	OFF	OFF	ON	ON	OFF	ON
90	OFF	ON	OFF	ON	ON	OFF	ON
91	ON	ON	OFF	ON	ON	OFF	ON
92	OFF	OFF	ON	ON	ON	OFF	ON
93	ON	OFF	ON	ON	ON	OFF	ON
94	OFF	ON	ON	ON	ON	OFF	ON
95	ON	ON	ON	ON	ON	OFF	ON
96	OFF	OFF	OFF	OFF	OFF	ON	ON
97	ON	OFF	OFF	OFF	OFF	ON	ON
98	OFF	ON	OFF	OFF	OFF	ON	ON
99	ON	ON	OFF	OFF	OFF	ON	ON
100	OFF	OFF	ON	OFF	OFF	ON	ON

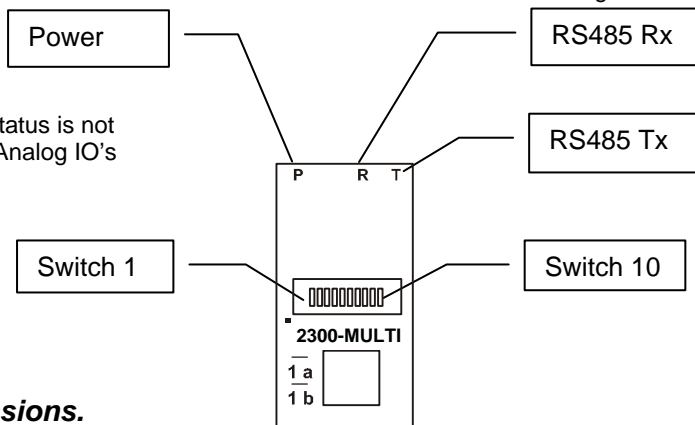
STATION ID	DIP SWITCH SETTINGS						
101	ON	OFF	ON	OFF	OFF	ON	ON
102	OFF	ON	ON	OFF	OFF	ON	ON
103	ON	ON	ON	OFF	OFF	ON	ON
104	OFF	OFF	OFF	ON	OFF	ON	ON
105	ON	OFF	OFF	ON	OFF	ON	ON
106	OFF	ON	OFF	ON	OFF	ON	ON
107	ON	ON	OFF	ON	OFF	ON	ON
108	OFF	OFF	ON	ON	OFF	ON	ON
109	ON	OFF	ON	ON	OFF	ON	ON
110	OFF	ON	ON	ON	OFF	ON	ON
111	ON	ON	ON	ON	OFF	ON	ON
112	OFF	OFF	OFF	OFF	ON	ON	ON
113	ON	OFF	OFF	OFF	ON	ON	ON
114	OFF	ON	OFF	OFF	ON	ON	ON
115	ON	ON	OFF	OFF	ON	ON	ON
116	OFF	OFF	ON	OFF	ON	ON	ON
117	ON	OFF	ON	OFF	ON	ON	ON
118	OFF	ON	ON	OFF	ON	ON	ON
119	ON	ON	ON	OFF	ON	ON	ON
120	OFF	OFF	OFF	ON	ON	ON	ON
121	ON	OFF	OFF	ON	ON	ON	ON
122	OFF	ON	OFF	ON	ON	ON	ON
123	ON	ON	OFF	ON	ON	ON	ON
124	OFF	OFF	ON	ON	ON	ON	ON
125	ON	OFF	ON	ON	ON	ON	ON
126	OFF	ON	ON	ON	ON	ON	ON
127	ON	ON	ON	ON	ON	ON	ON

Examples of connectivity—RS485 data Hi-Way



Section C. Status Indicators.

Power: "ON" when station has power.
 RS485 Rx: Flashes to indicate the unit has received a valid Modbus message.
 RS485 Tx: Flashes to indicate the unit has sent a Modbus message.

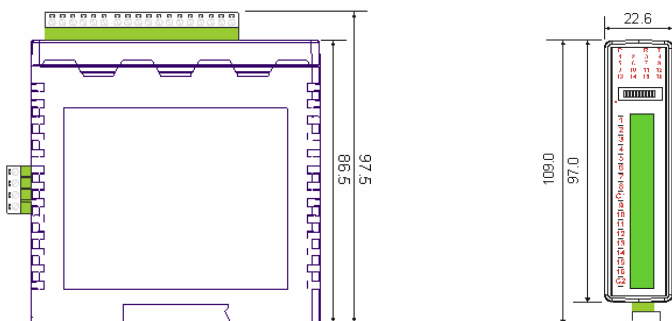


* Please note that LED status is not available for Digital and Analog IO's for the 2300-MULTI

2300-MULTI Dimensions.

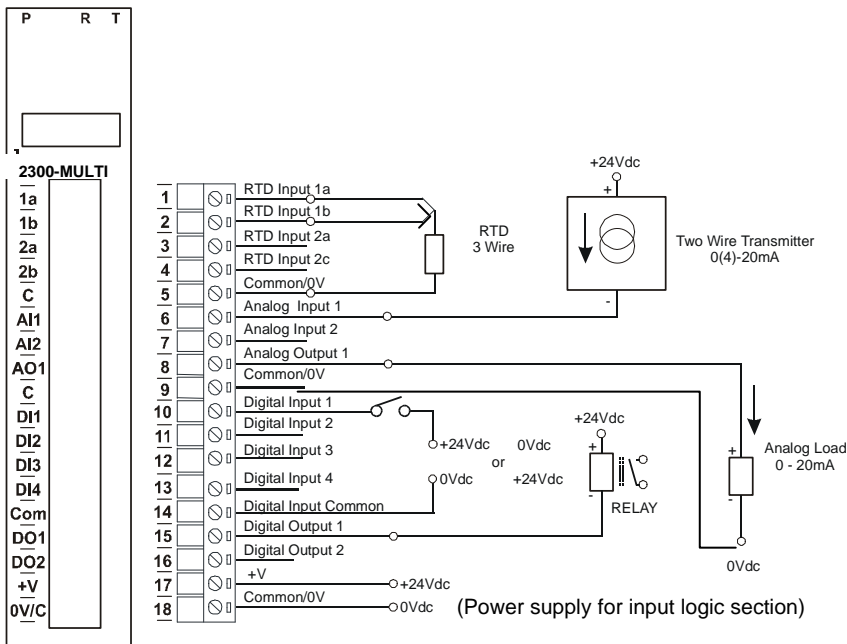
The 2300-MULTI enclosure is shown below. The station clips directly onto an industry standard DIN rail. Field wiring is on the top of the station via a separate plug in connector. The station power and RS485 communications wiring are on a separate plug in connector on the side of the housing.

Allow at least 25mm on front and below the station to accommodate the wiring. Ensure that enough space is available above and below the station for good ventilation.



Connection Example Diagrams.

The following diagram shows how the inputs and outputs are connected to the 2300-MULTI station.



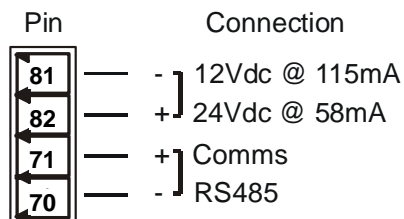
Notes:

- Logic power input (terminals 17 & 18) range 12-24Vdc. The logic power supply input must be isolated and completely separate to the power supply that powers the 2300-MULTI on terminals 81 & 82. Failure to do so will cause the comms to stop.
- Terminals 5, 9, 18 are internally connected and are common for AI, AO RTD and Logic power input. Terminal 14 DC (Digital Common) is isolated - refer to Note 5.
- RTD, AI and DI inputs do not require the Logic power supply to be connected to terminals 17 & 18.
- AO1 will only work if the Logic power supply is connected to terminals 17 & 18. AO will hold its last value until re-written too.
- For DI operation, isolation is possible or for non isolated operation DC (terminal 14) can be connected to terminal 18 and used with the Logic power supply. For DO operation the Logic power supply is required and terminal 14 must be connected to terminal 18. If using DO and DI, isolation is not possible.

Section D: Dip Switch Settings.

DIP SWITCH	FUNCTION	DESCRIPTION
1	STATION ID +1	Station ID's from 0 to 127 are set up using switches 1 to 7
2	STATION ID +2	"
3	STATION ID +4	"
4	STATION ID +8	"
5	STATION ID +16	"
6	STATION ID +32	"
7	STATION ID +64	"
8	-	Not used
9	-	Not used
10	BAUD RATE	For MicroScan use DIP Switch 10 ON (Factory default)

Power and RS485 Comms Wiring.



Warning: If the power/communication connections are reversed, the remote station may become faulty.

2300-MULTI Station Number Programming and Serial Number.

Important: When commissioning remote stations, you must programme a unique station number before using the programme setup button in the Scada Software. Requires MicroScan Version 5.0 onwards.

- Close the MicroScan Scada down and turn the power off to the 2300 485 converter. Connect the new Remote Station, referring to 'Wiring and Installation' and 'Commissioning'
- Turn power back on to the 2300 485 converter, and start MicroScan, under Setup Tools select Add New Station
- Select 'Page and Line Settings', or 'Tag Setup' and configure as per the MicroScan help file.

Important Note:

If using the USB485 converter, do not connect to the computer until after MicroScan has been installed.

MODBUS Applications:

If using the 2300-MULTI station in other applications where **MODBUS** is required, please refer to the **2300-MULTI MODBUS supplementary manual** which is available for download from the Intech website: www.intech.co.nz/2300

Section E: 2300-MULTI Wiring & Installation.

The 2300-MULTI is to be Installed and Serviced by Service Personnel Only. No Operator / User Serviceable Parts.

All power and signals must be de-energised before connecting any wiring, or altering any Jumpers or Dip Switches. Do not start the MicroScan before programming in a unique station number. Refer 'Station Number Programming and Serial Number'.

Mounting.

* Also refer to Connection Diagrams and Notes.

- (1) Mount in a clean environment in an electrical cabinet on 35mm Symmetrical mounting rail.
- (2) Draft holes must have minimum free air space of 20mm. Foreign matter must not enter or block draft holes.
- (3) Do not subject to vibration or excess temperature or humidity variations.
- (4) Do not mount in cabinets with power control equipment.
- (5) To maintain compliance with the EMC Directives the 2300-MULTI is to be mounted in a fully enclosed steel fire cabinet. The cabinet must be properly earthed, with appropriate input / output entry points and cabling.

Power Supply Wiring.

* Also refer to Connection Diagrams and Notes - 'Power and RS485 Comms Wiring' on page 14.26-7.

RS485 Comms Signal Cabling.

- (1) Use only low capacitance, twisted pair, overall screened data cable. The cable must equal or better the following specifications.

Cable Specifications.		
Conductor Size.		7/0.20mm, 24AWG
Conductor Resistance @ 20C.		8.9Ω/100m
Max. Working Voltage.		300Vrms
Capacitance between wires of a pair.		50pF/m
Capacitance between each wire to all others bunched together.		95pF/m
Cross-talk between pairs:	@ 1kHz @ 100kHz	>-90dB/100m >-50dB/100m
Characteristic Impedance .	@ 100kHz	135Ω
Attenuation of a pair:	@ 1kHz @ 10kHz @ 100kHz @ 50kHz @ 1MHz @ 1.5MHz	0.15dB/100m 0.42dB/100m 0.8dB/100m 0.9dB/100m 1.9dB/100m 2.4dB/100m

NOTE: All cables are to be subject during manufacture to in-process spark testing @ 4kVrms.
All cables are to be tested between conductors and conductors to screen for 1min @ 1500Vrms.

- (2) Minimum cable pairs: RS485 = 1. (Plus overall screen.)
- (3) Take care not to stress or damage cables during installation.
- (4) Total length of trunk line, including spurs, is not to exceed 1200m without isolating boosters.
- (5) Terminating resistors -1kΩ.
- (6) Cabling paths should avoid sources of radio frequency interferences such as fluorescent lights, variable speed motor drives, welding equipment, radio transmitters, etc.
- (7) There should be a minimum of 200mm physical separation between power cables and data cables.
- (8) Data cables should not be exposed to excessive heat or moisture, and should not be buried directly in the ground without protection.
- (9) Avoid powering a remote station or controller from the same power supply as a variable speed drive.
- (10) All unused twisted pairs should be terminated at both ends with 1kΩ resistors. DO NOT ground unused pairs.

Commissioning.

- (1) Check that all the above conditions have been met, and the wiring checked, before applying power to the 2300-MULTI.

Intech INSTRUMENTS LTD
www.intech.co.nz
Christchurch Ph: +64 3 343 0646
Auckland Ph: 09 827 1930
Email: sales@intech.co.nz
2300-MULTI 080411