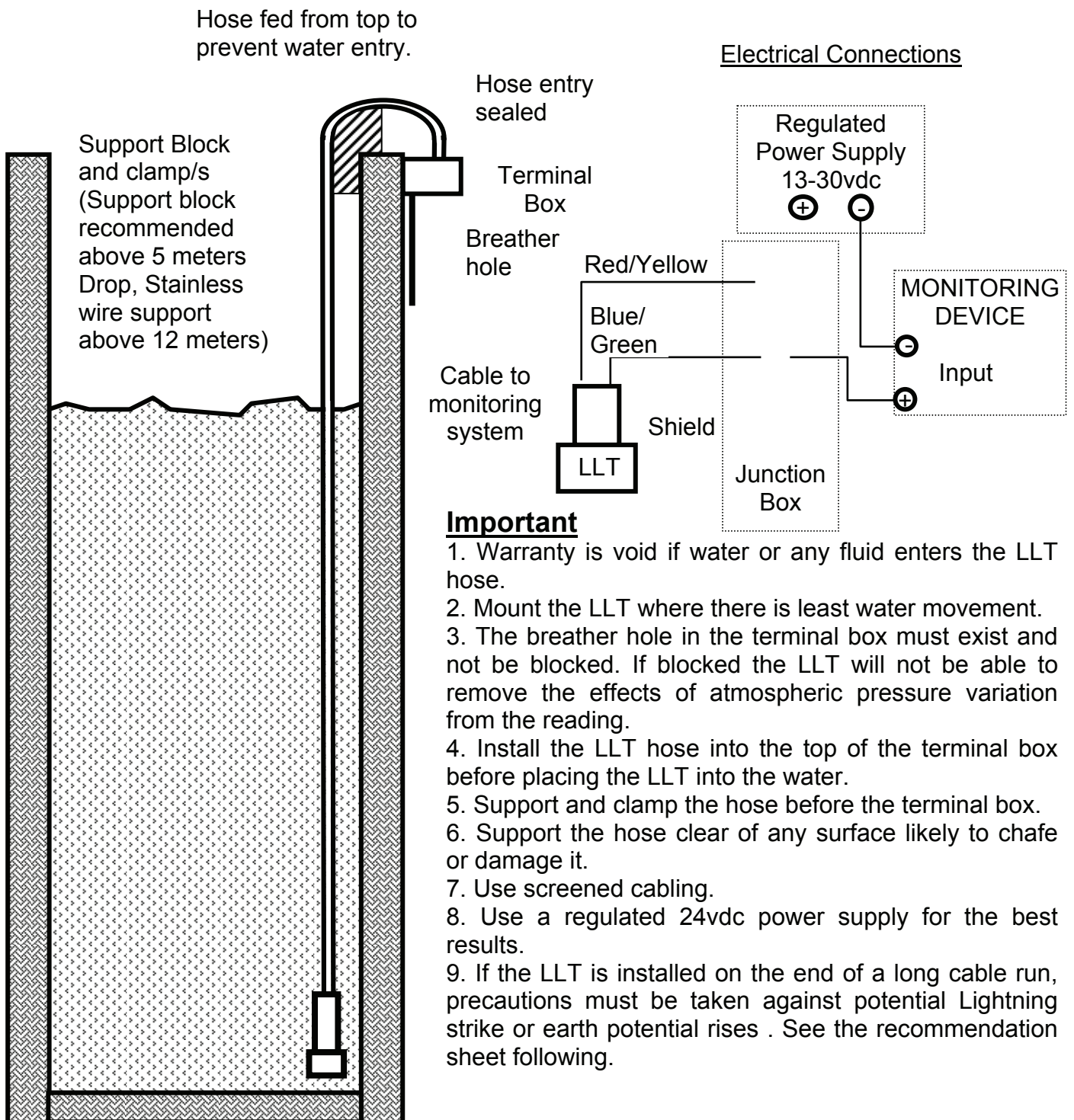
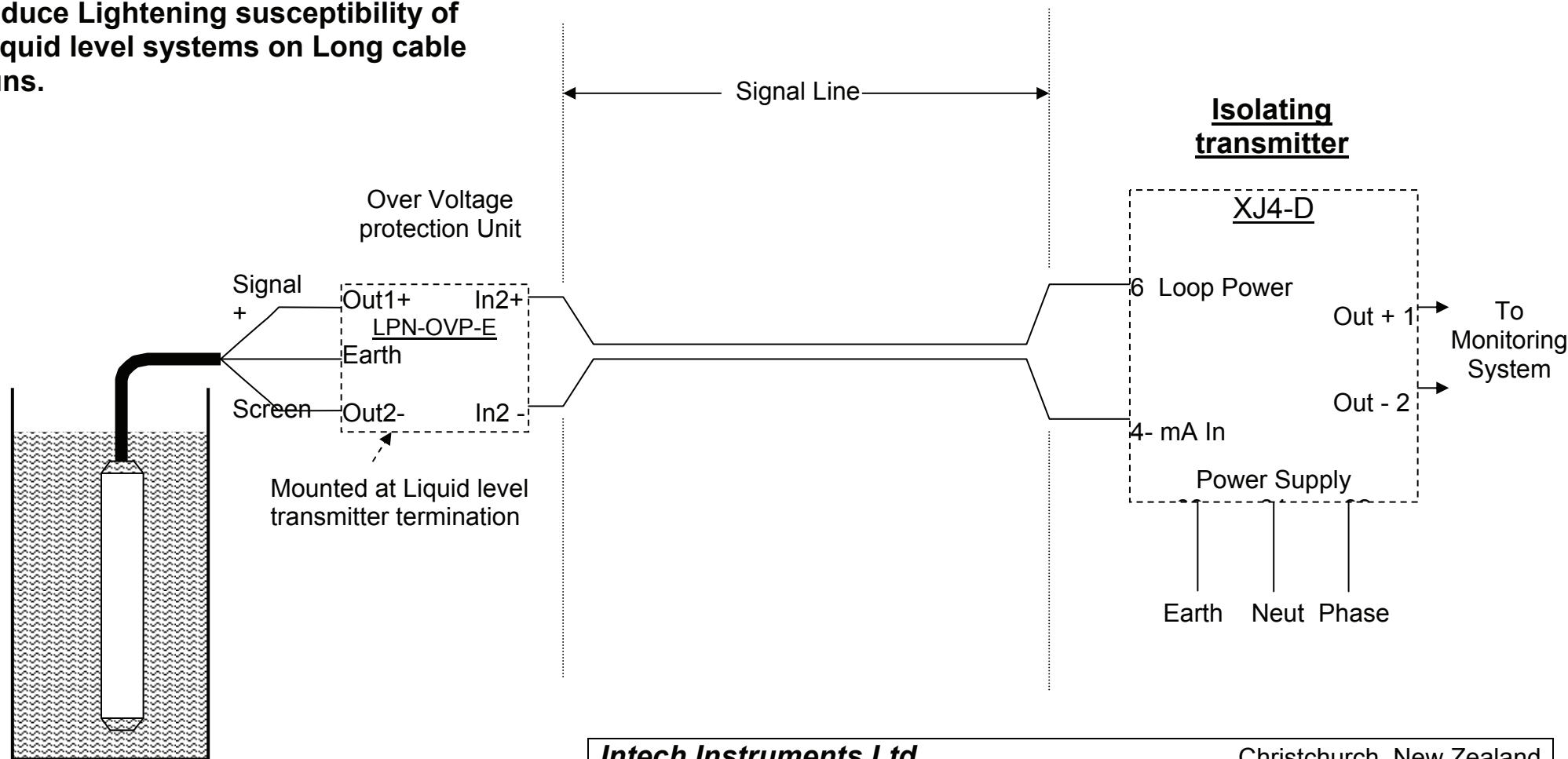


## **SUBMERSIBLE LIQUID LEVEL TRANSMITTER** **IN-LLT & JUMO 4390**



This Drawing is the property of Intech Instruments Limited it must not be passed on to any third party without consent of the company.

**Recommended Configuration to reduce Lightning susceptibility of Liquid level systems on Long cable runs.**



**IN-LLT or JUMO 4390 Series Liquid Level Transmitter.**

<b><u>Intech Instruments Ltd</u></b>		Christchurch, New Zealand
Recommended connection method for remote mounted Level Transmitters		
Scale: NTS	Date: 18/05/2007 1:55:00 PM	
Filename: LLT Loop.doc	Drawn: Intech Instruments Ltd	
Ph. +64-3-343-0646	Fax: +64-3-343-0649	
Email: sales@intech.co.nz		