

PAC03B 10A, 20A, 40A

- DIN rail mountable (Mounting Plate : Option)
- Current Capacity: 10A / 20A / 40A
- Terminal Cover for greater safety
- LED indicator turns on when control
- Internal Barister absorbs external surge current
- Separate heat sink available (Option) for maximum performance



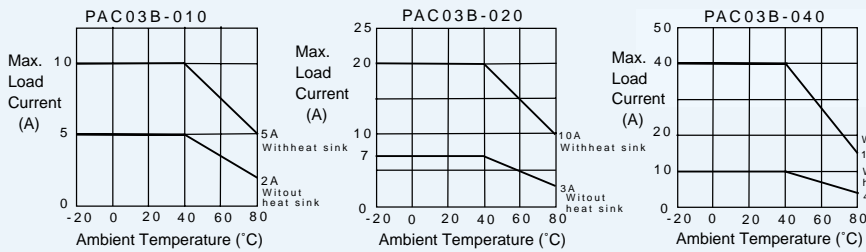
SPECIFICATIONS

Power Supply:	100~240V 50 / 60Hz
Operational Load Voltage Range:	35~264V 50 / 60Hz
Current Capacity:	10A, 20A, 40A (With Heat Sink, Ambient Temperature below 40°C)
Control Input:	
Control Voltage:	3.5~30V DC
Off Voltage:	1.0V DC max
Input Current:	10mA max
Control Element:	Triac
Control Mode:	Zero voltage switching
Output Characteristics:	
Leakage Current (when output 'OFF'):	12mA max (Power Apply=200V AC)
Voltage Drop (when output 'ON'):	1.5V max (Operational Ambient Temperature=25°C)
Minimum Load Current:	1.0Arms (Ampere root mean square)
Output Protection:	Internal Barister (430V)
Operational Lamp:	Red LED lamp
Insulation Resistance:	Between input/output terminals and housing case 500V DC 100 MΩ min
Dielectric strength:	Between input/output terminals and housing case 3000V AC 1 minute
Operational Ambient Temperature:	-20~80°C
Storage temperature:	-30~100°C
Weight:	Without heat sink With heat sink 65g (10A/20A) Approx. 260g (10A/20A) 95g (40A) Approx. 390g (40A)

ORDERING CODE (PAC03B Solid State Relay)

ITEM	CODE	SPECIFICATIONS	
SERIES	PAC03B-	Zero Voltage Switching Control, Solid State Relay	
CURRENT CAPACITY	010-	10A	
	020-	20A	
	040-	40A	
Heat Sink or DIN rail mounting plate	0	None	
	1	With heat sink (10A/20A)	
	2	With heat sink (40A)	
	3	DIN rail mounting plate	
REMARKS	0	Without	
	9	With(Please consult before ordering.)	

AMBIENT TEMPERATURE & LOAD CURRENT CHARACTERISTIC



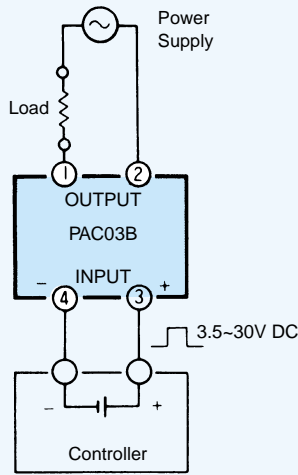
Be sure to provide enough ventilation to prevent the temperature increase. Heat generated by PAC03B is lead from following equation:

$$\text{Heat Value (W)} = 1.5 \text{ (V)} \times \text{Load Current (A)}$$

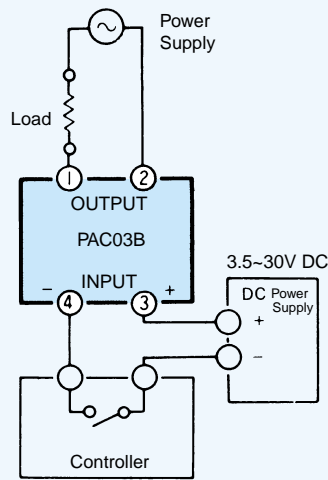
- * Voltage Drop (when output 'ON'): 1.5V max
- * **Vertical mounting is recommended.**

WIRING EXAMPLE

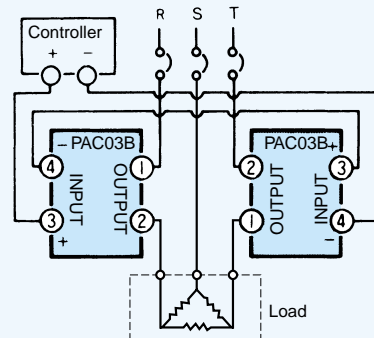
1. In case of with controller with SSR drive voltage output



2. In case of with controller with contact output



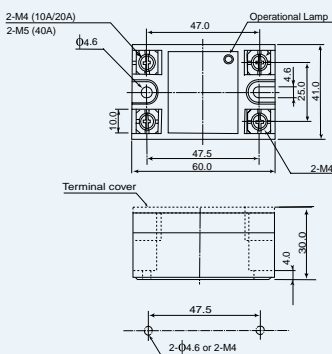
3. Three phase circuit Control of Delta or Star circuit with 2 units of PAC03B



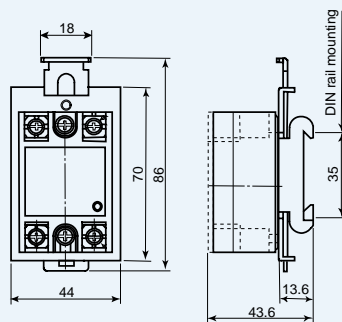
In case of with Shimaden "SR" Series controller, please configure it in series shown as above

EXTERNAL DIMENSIONS

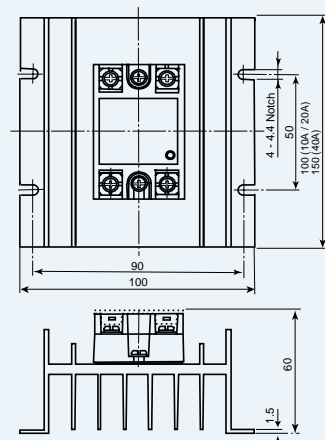
EXTERNAL DIMENSIONS
10A / 20A / 40A



DIN RAIL MOUNTING PLATE DIMENSIONS



HEAT SINK DIMENSIONS



Unit : mm

 **Warning**

- This product is designed for controlling the power of a heater or similar equipment used in a general industrial facilities. (It is not to be used for any purpose which regulates the prevention of serious effects on human life or safety.)

 **Caution**

- If the possibility of loss or damage to your system or property as a result of failure of any part of the process exists, proper safety measures must be made before the instrument is put into use so as to prevent the occurrence of trouble.



ISO 9001

(The contents of this brochure are subject to change without notice.)

Temperature and Humidity Control Specialists
SHIMADEN CO., LTD.

Head Office: 2-30-10 Kitamachi, Nerima-Ku, Tokyo 179-0081 Japan
Phone: +81-3-3931-7891 Fax: +81-3-3931-3089
E-MAIL: exp-dept@shimaden.co.jp URL: <http://www.shimaden.co.jp>

