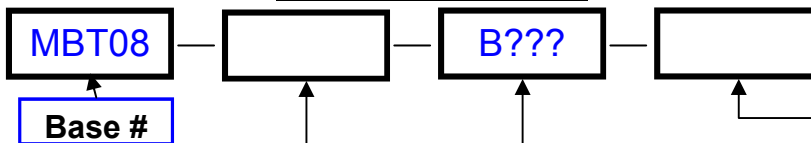




Miniature Adjustable Length Flex-Armor Bayonet Style

Part # Builder



Termination Styles

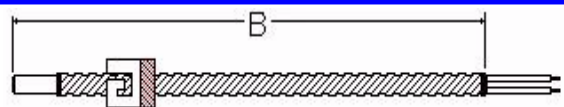
Code	Description	
14	Spade Lugs	
15	Standard Plug	
16	Standard Jack	
17	Mini-Plug	
18	Mini-Jack	

Lead Length ("B" Dimension)
Enter the lead length in "inches"

CODE
J
K
T
E
Dual -JJ KK TT EE

Please note:
Flex armor .210" OD
Probe 1/8" OD

- The hose compresses like a spring.
- The caps turn along the entire length of the hose.
- These units fit our standard bayonet adapters



Notes:

- Stainless steel construction with 24-gauge stranded fiberglass insulated wire.
- The probe tip is 1/8" diameter and our standard unit is approximately 1/2" long but can be made longer.
- Adapters are NOT furnished with the thermocouples and must be ordered separately. (See page 27)

Optional Notes:

- Add "Z175" to the end of part # for no spade lugs
- For other wire construction types, consult a sales engineer.
- Add "U" to the end of the part # for ungrounded

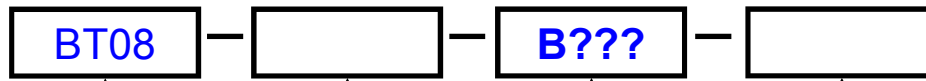
Example:

MBT08-14-B48-J

The example calls out a 1/8" OD, miniature adjustable type, 48" long mini armor cable, type "J" calibration, grounded junction, with 3" leads and spade lugs.






Adjustable Length Spring Bayonet Style Part # Builder



Base #

Termination Styles

Code	Description
1	Spade Lugs 
2	Standard Plug 
3	Standard Jack 

Lead Length ("B" Dimension)
Enter the lead length in "inches"

Description:
Fits hole depth from 1" to 10".
Cap turns along 12" spring.
Forms to most angles.
Wire is stainless steel braid over-fiberglass

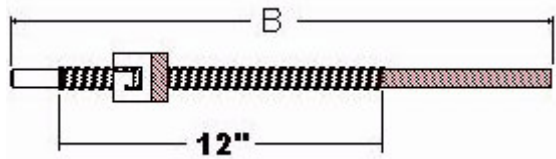
CODE
J
K
T
E
Dual -JJ KK TT EE

Construction Notes:

- Stainless steel construction with 20 gauge stranded fiberglass wire.
- The probe tip is 3/16" diameter and our standard unit is approximately 3/8" long but can be made longer
- Units come standard with grounded junction.
- Adapters are NOT furnished with the thermocouples and must be ordered separately. (See page 27)

Optional Notes:

- For other wire construction types, consult a sales engineer.
- For 6" spring add option **Z165** at end of part number
- 12mm & 15mm metric caps also available (See page 31)
- Add "**Z175**" to the end of part # for **no spade lugs**



Example:

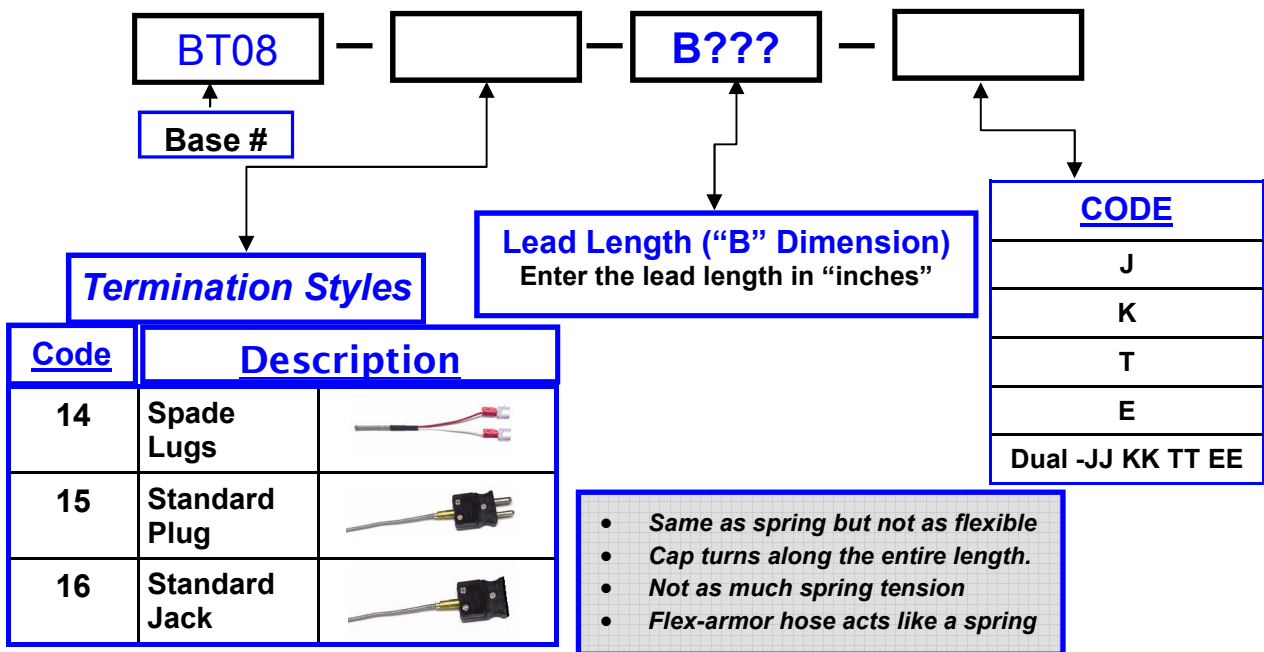
BT08-1-B48-J

The example calls out a 3/16" OD, spring type adjustable style, split leads with spade lugs, 48" long stainless braided leads, Type "J" calibration, grounded junction.



Adjustable Length Flex-Armor Bayonet Style

Part # Builder



Construction Notes:

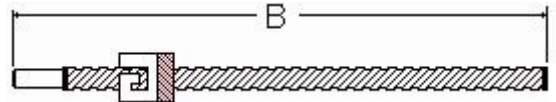
- Stainless steel construction with 20-gauge fiberglass insulated wire stranded.
- Probe tip is 3/16" diameter tube and is approximately 3/8" long.
- Thermocouples are furnished grounded.
- Adapters are NOT furnished with thermocouple and must be ordered separately. (see pg. 27)

Optional Notes:

- For other wire constructions types, consult a sales engineer.
- For 12mm metric cap add option "H436" to the end of the part number.
- Add "Z175" to the end of part # for **no spade lugs**

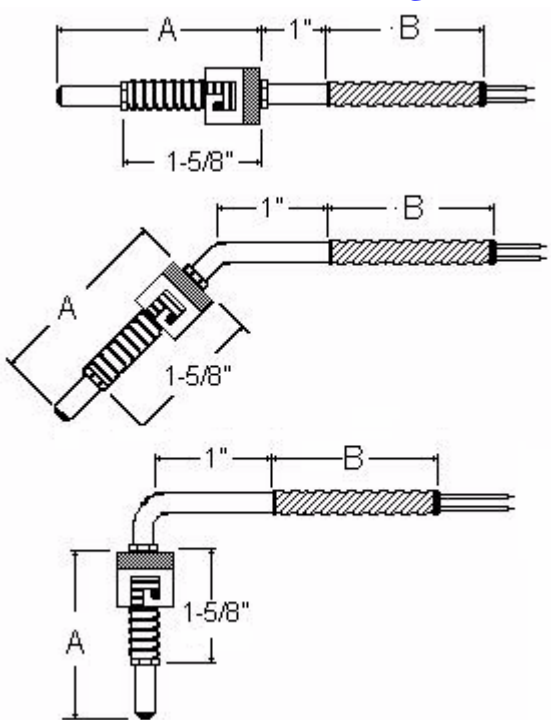
Example: BT08-14-B48-J

The example calls out a 3/16"OD, adjustable length 48" long flex armor cable, type "J" calibration, grounded junction, with 4" leads and spade lugs.





Flex-Armor Fixed Bayonet Style



1/8" Diameter (Straight)

<u>Catalog Number</u>	<u>Term. Style</u>
34	1
37	2
40	3

3/16" Diameter (Straight)

<u>Catalog Number</u>	<u>Term. Style</u>
4	1
7	2
10	3

1/8" Diameter (45°)

<u>Catalog Number</u>	<u>Term. Style</u>
35	1
38	2
41	3

3/16" Diameter (45°)

<u>Catalog Number</u>	<u>Term. Style</u>
5	1
8	2
11	3

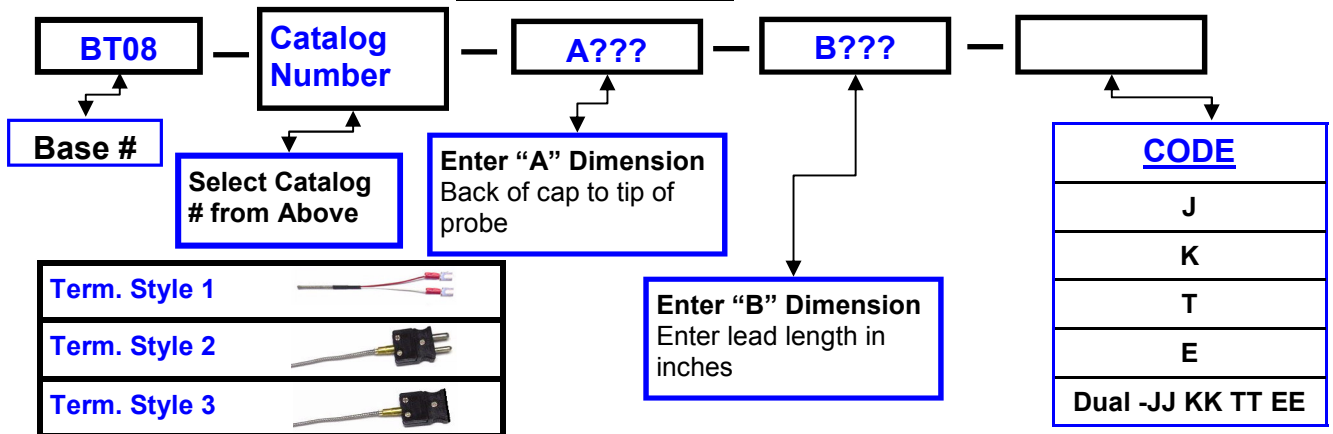
1/8" Diameter (90°)

<u>Catalog Number</u>	<u>Term. Style</u>
36	1
39	2
42	3

3/16" Diameter (90°)

<u>Catalog Number</u>	<u>Term. Style</u>
6	1
9	2
12	3

Part # Builder



Notes:

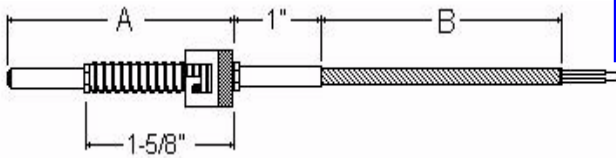
- 24 gauge wire is used for 1/8" diameter
- 20 gauge wire is used for 3/16" diameter
- Other internal wire construction available
- Adapters are NOT furnished with thermocouples and must be ordered separately.
- Add "Z175" to the end of part # for no spade lugs

Example: BT08-4-A4-B48-J

This example calls out a 3/16" OD, flex armor bayonet style thermocouple with a 4" insertion length, and 48" of flex-armor, type J.



Stainless Steel Braid Fixed Bayonet Style

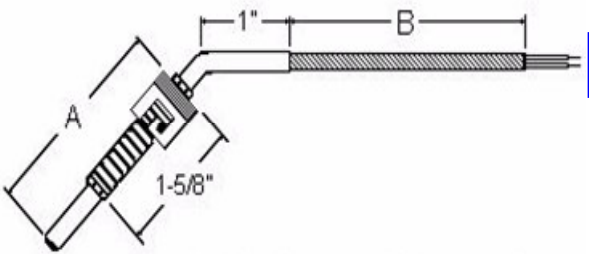


1/8" Diameter (Straight)

Catalog Number	Term. Style
4	1
7	2
10	3

3/16" Diameter (Straight)

Catalog Number	Term. Style
14	1
17	2
20	3

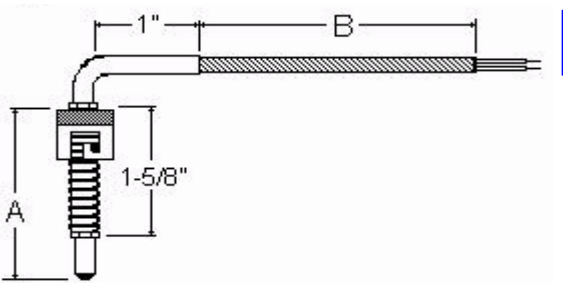


1/8" Diameter (45°)

Catalog Number	Term. Style
5	1
8	2
11	3

3/16" Diameter (45°)

Catalog Number	Term. Style
15	1
18	2
21	3



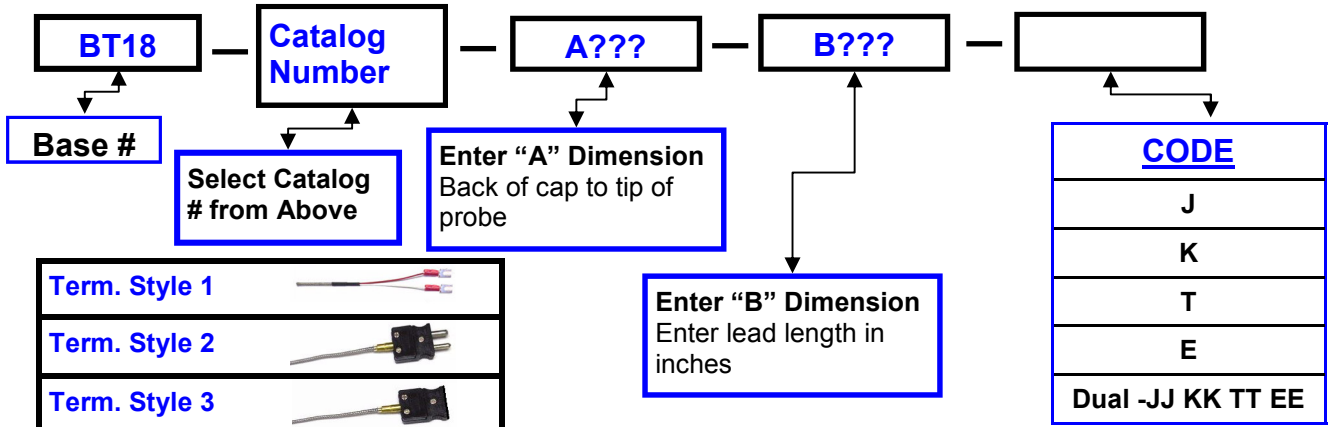
1/8" Diameter (90°)

Catalog Number	Term. Style
6	1
9	2
12	3

3/16" Diameter (90°)

Catalog Number	Term. Style
16	1
19	2
22	3

Part # Builder



Notes:

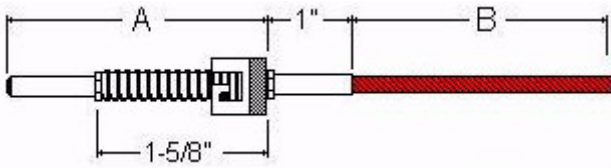
- 24 gauge wire is used for 1/8" diameter
- 20 gauge wire is used for 3/16" diameter
- Other internal wire construction available
- Adapters are NOT furnished with thermocouples and must be ordered separately.
- Add "Z175" to the end of part # for **no spade lugs**

Example: BT18-14-A4-B48-J

This example calls out a 3/16" OD, stainless steel braid bayonet style thermocouple with a 4" insertion length, and 48" of stainless steel braid leads, type J.



Fiberglass Insulated Bayonet Style

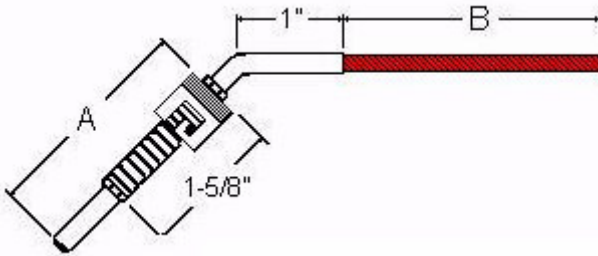


1/8" Diameter (Straight)

Catalog Number	Term. Style
4	1
7	2
10	3

3/16" Diameter (Straight)

Catalog Number	Term. Style
14	1
17	2
20	3

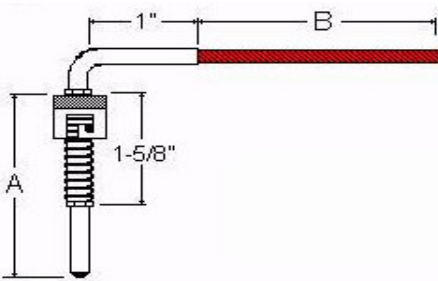


1/8" Diameter (45°)

Catalog Number	Term. Style
5	1
8	2
11	3

3/16" Diameter (45°)

Catalog Number	Term. Style
15	1
18	2
21	3



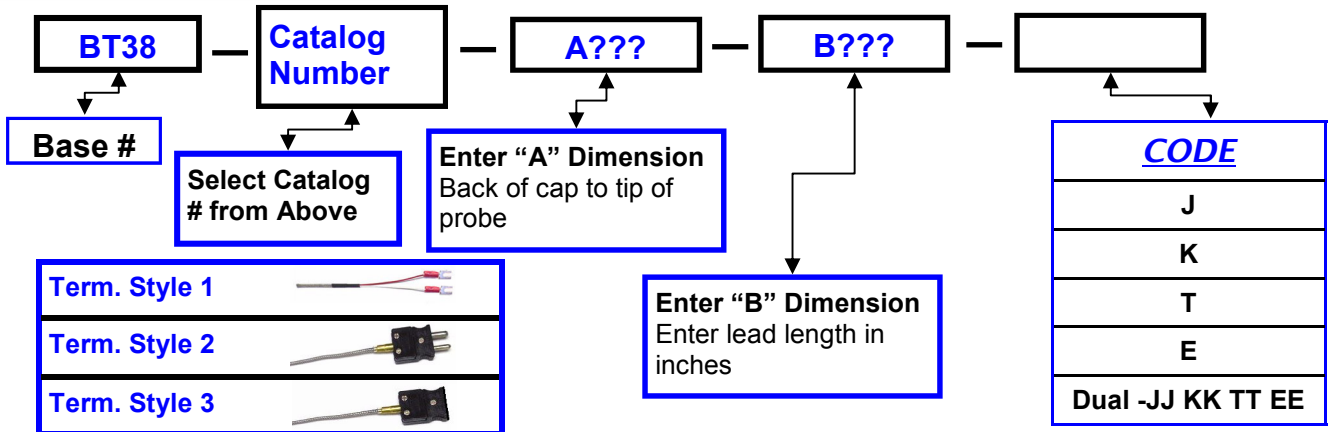
1/8" Diameter (90°)

Catalog Number	Term. Style
6	1
9	2
12	3

3/16" Diameter (90°)

Catalog Number	Term. Style
16	1
19	2
22	3

Part # Builder



Notes:

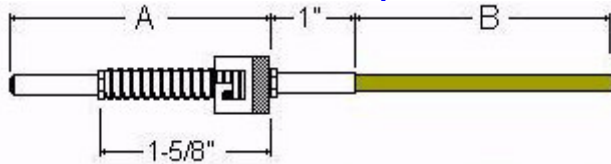
- 24 gauge wire used in 1/8" diameter
- 20 gauge wire used in 3/16" diameter
- Adapters are NOT furnished with thermocouples and must be ordered separately
- Add "Z175" to the end of part # for no spade lugs

Example: BT38-14-A4-B48-J

This example calls out a fiberglass insulated fixed bayonet style thermocouple with a 3/16"OD probe, 4" insertion length, 48" of fiberglass lead, type J



Teflon Insulated Fixed Bayonet Style

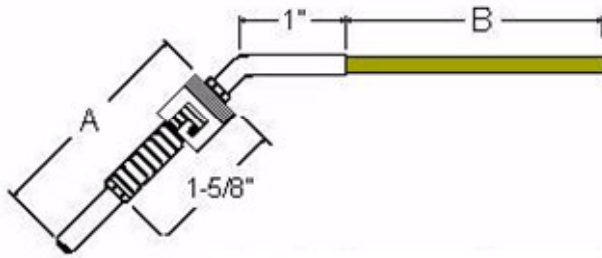


1/8" Diameter (Straight)

<u>Catalog Number</u>	<u>Term. Style</u>
4	1
7	2
10	3

3/16" Diameter (Straight)

<u>Catalog Number</u>	<u>Term. Style</u>
14	1
17	2
20	3

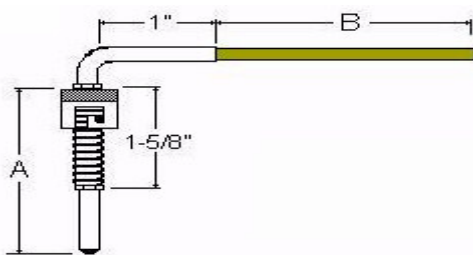


1/8" Diameter (45°)

<u>Catalog Number</u>	<u>Term. Style</u>
5	1
8	2
11	3

3/16" Diameter (45°)

<u>Catalog Number</u>	<u>Term. Style</u>
15	1
18	2
21	3



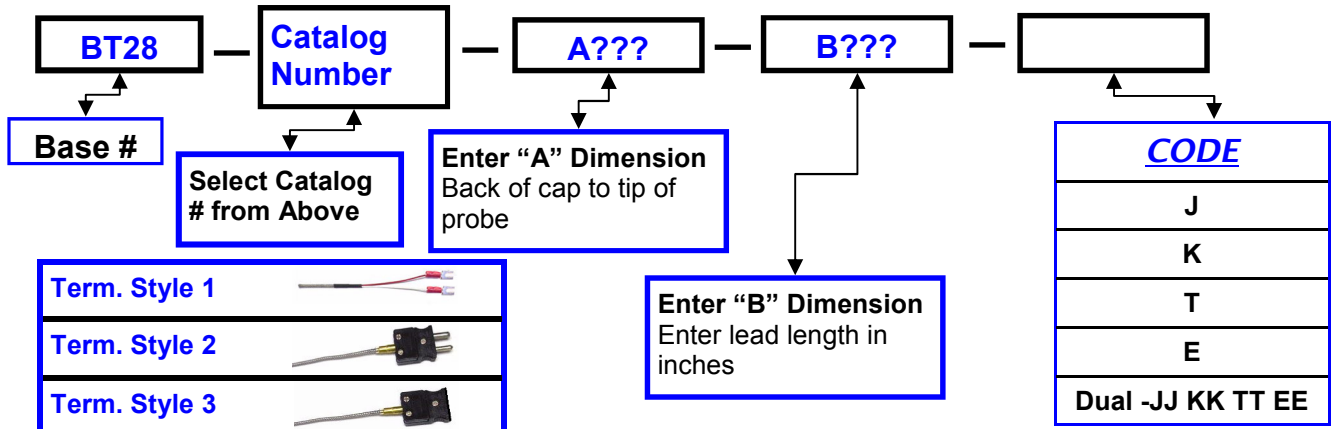
1/8" Diameter (90°)

<u>Catalog Number</u>	<u>Term. Style</u>
6	1
9	2
12	3

3/16" Diameter (90°)

<u>Catalog Number</u>	<u>Term. Style</u>
16	1
19	2
22	3

Part # Builder



Notes:

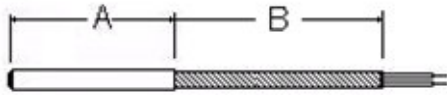
- 24 gauge wire is used for 1/8" diameter
- 20 gauge wire is used for 3/16" diameter
- Other internal wire construction available
- Adapters are NOT furnished with thermocouples and must be ordered separately.
- Add "Z175" to the end of part # for **no spade lugs**

Example: BT28-14-A4-B48-J

This example calls out a 3/16" OD, flex armor bayonet style thermocouple with a 4" insertion length, and 48" of flex-armor, type J.

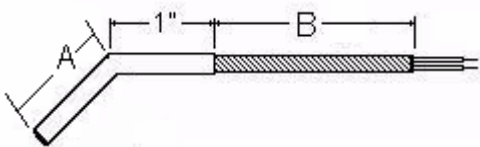


Stainless Steel Braid Style



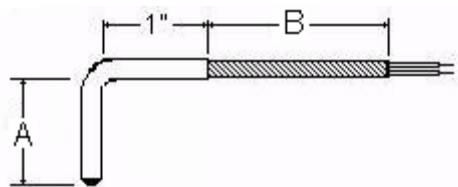
Straight Probe

Catalog Number	Term. Style
1	1
4	2
7	3



45° Bend

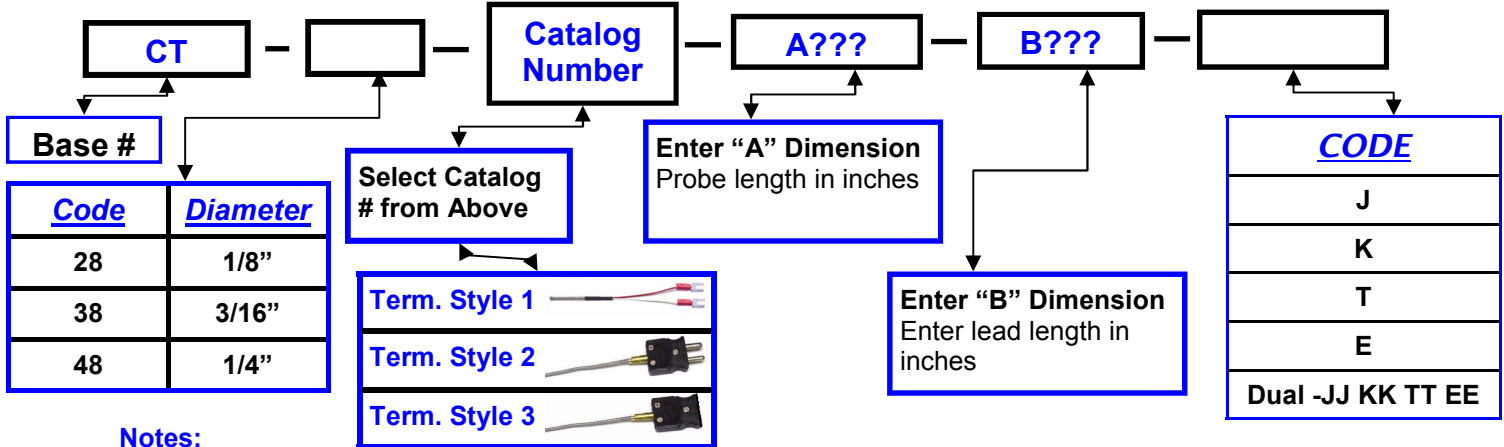
Catalog Number	Term. Style
2	1
5	2
8	3



90° Bend

Catalog Number	Term. Style
3	1
6	2
9	3

Part # Builder



Notes:

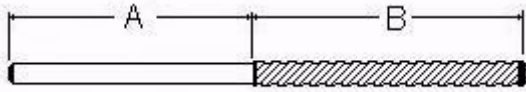
- 24 gauge wire is used for 1/8" diameter
- 20 gauge wire is used for 3/16" diameter
- Other internal wire construction available
- Compression fittings are NOT furnished with thermocouples and must be ordered separately.
- Add "Z175" to the end of part # for no spade lugs

Example: CT38-14-A4-B48-J

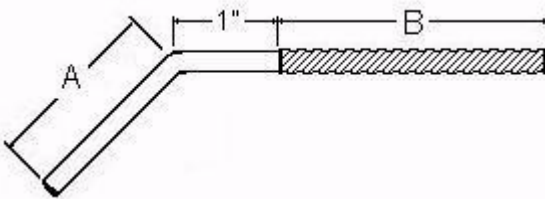
This example calls out a 3/16" OD, flex armor bayonet style thermocouple with a 4" insertion length, and 48" of flex-armor, type J.



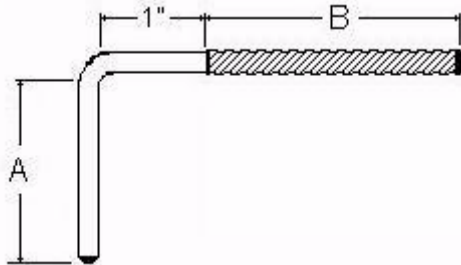
Flex-Armor Style



Straight Probe	
Catalog Number	Term. Style
1	1
4	2
7	3

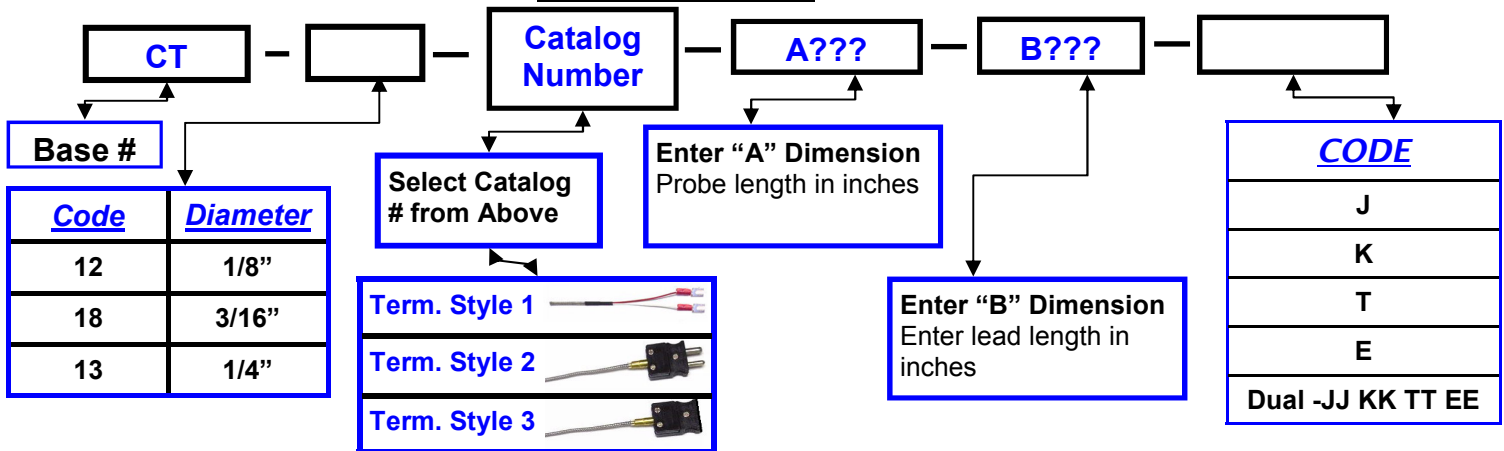


45° Bend	
Catalog Number	Term. Style
2	1
5	2
8	3



90° Bend	
Catalog Number	Term. Style
3	1
6	2
9	3

Part # Builder



Notes:

- 24 gauge wire is used for 1/8" diameter
- 20 gauge wire is used for 3/16" diameter
- Other internal wire construction available
- Compression fittings are NOT furnished with thermocouples and must be ordered separately.
- Add "Z175" to the end of part # for **no spade lugs**

Example: CT38-14-A4-B48-J

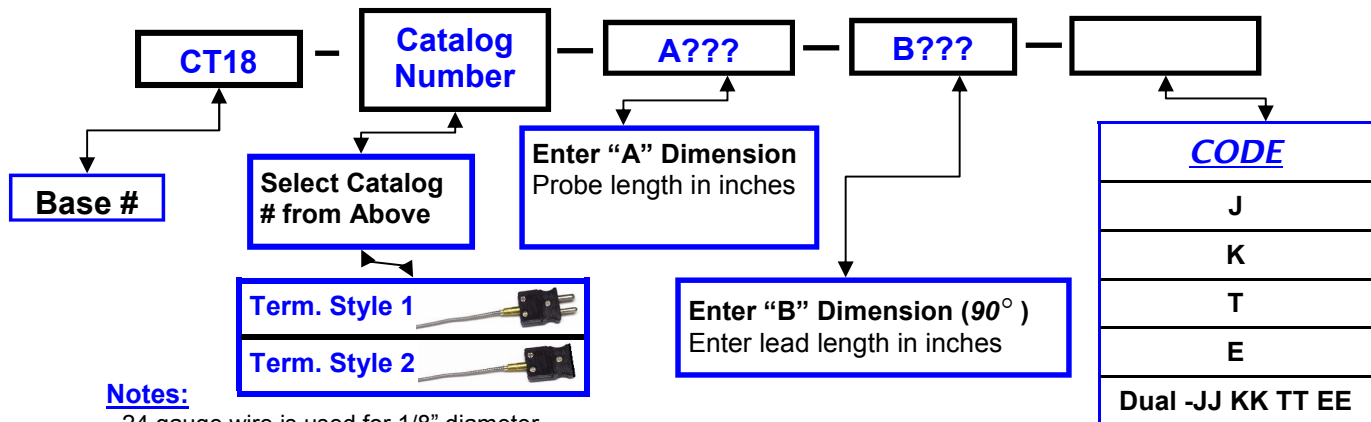
This example calls out a 3/16" OD, flex armor bayonet style thermocouple with a 4" insertion length, and 48" of flex-armor, type J.



Rigid Style Tube & Wire

	1/8" Diameter (Straight)		3/16" Diameter (Straight)		1/4" Diameter (Straight)	
	<u>Catalog Number</u> 25 13	<u>Term. Style</u> 1 2	<u>Catalog Number</u> 28 16	<u>Term. Style</u> 1 2	<u>Catalog Number</u> 31 19	<u>Term. Style</u> 1 2
	1/8" Diameter (45°)		3/16" Diameter (45°)		1/4" Diameter (45°)	
	<u>Catalog Number</u> 26 14	<u>Term. Style</u> 1 2	<u>Catalog Number</u> 29 17	<u>Term. Style</u> 1 2	<u>Catalog Number</u> 32 20	<u>Term. Style</u> 1 2
	1/8" Diameter (90°)		3/16" Diameter (90°)		1/4" Diameter (90°)	
	<u>Catalog Number</u> 27 15	<u>Term. Style</u> 1 2	<u>Catalog Number</u> 30 18	<u>Term. Style</u> 1 2	<u>Catalog Number</u> 33 21	<u>Term. Style</u> 1 2

Part # Builder



Notes:

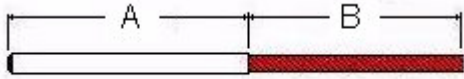
- 24 gauge wire is used for 1/8" diameter
- 20 gauge wire is used for 3/16" diameter
- Other internal wire construction available
- Compression fittings are NOT furnished with thermocouples and must be ordered separately.
- Add "Z175" to the end of part # for no spade lugs

Example: CT38-14-A4-B48-J

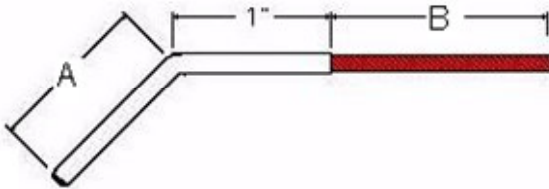
This example calls out a 3/16" OD, flex armor bayonet style thermocouple with a 4" insertion length, and 48" of flex-armor, type J.



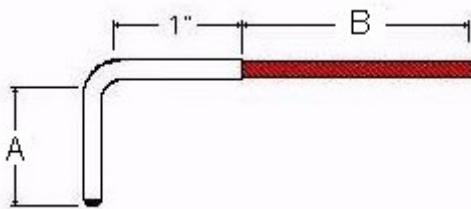
Fiberglass Insulated Style



Straight Probe	
Catalog Number	Term. Style
38	1
45	2
46	3

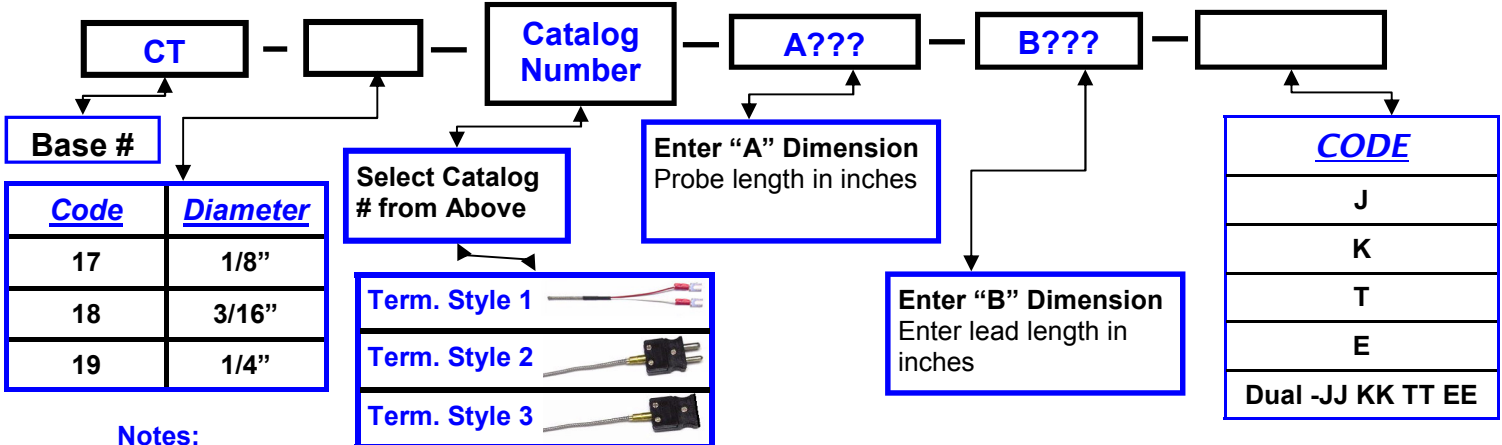


45° Bend	
Catalog Number	Term. Style
47	1
48	2
49	3



90° Bend	
Catalog Number	Term. Style
50	1
51	2
52	3

Part # Builder



Notes:

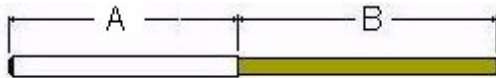
- 24 gauge wire is used for 1/8" diameter
- 20 gauge wire is used for 3/16" diameter
- Other internal wire construction available
- Compression fittings are NOT furnished with thermocouples and must be ordered separately.
- Add "Z175" to the end of part # for no spade lugs

Example: CT38-14-A4-B48-J

This example calls out a 3/16" OD, flex armor bayonet style thermocouple with a 4" insertion length, and 48" of flex-armor, type J.

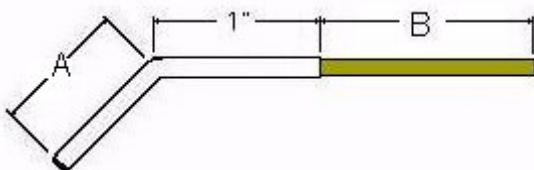


Teflon Insulated Style



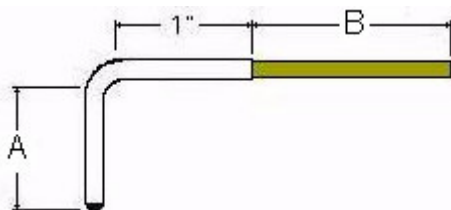
Straight Probe

Catalog Number	Term. Style
11	1
14	2
17	3



45° Bend

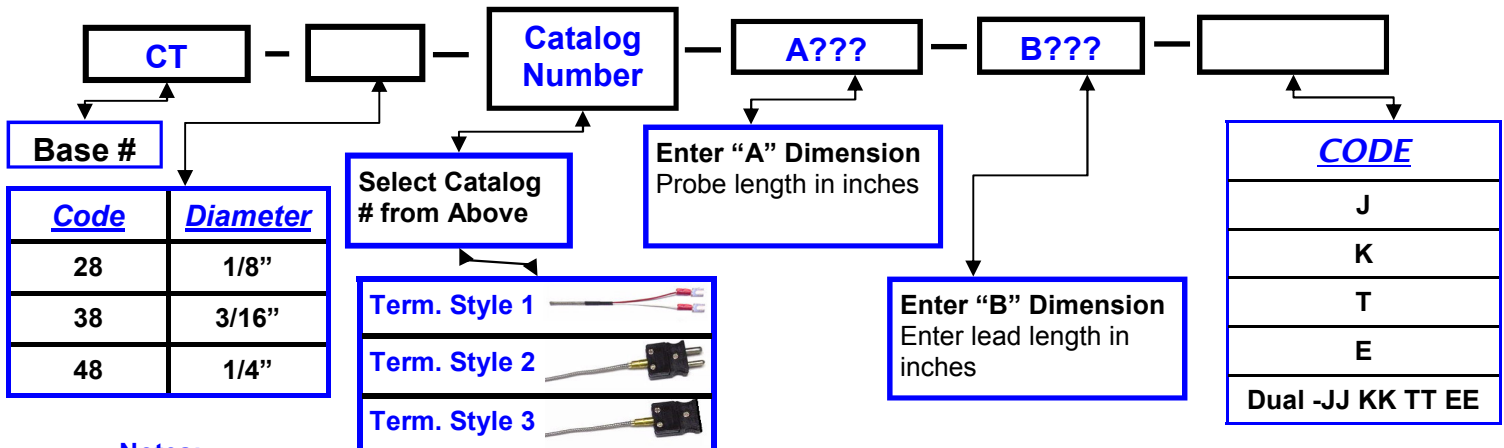
Catalog Number	Term. Style
12	1
15	2
18	3



90° Bend

Catalog Number	Term. Style
13	1
16	2
19	3

Part # Builder



Notes:

- 24 gauge wire is used for 1/8" diameter
- 20 gauge wire is used for 3/16" diameter
- Other internal wire construction available
- Compression fittings are NOT furnished with thermocouples and must be ordered separately.
- Add "Z175" to the end of part # for **no spade lugs**

Example: CT38-14-A4-B48-J

This example calls out a 3/16" OD, flex armor bayonet style thermocouple with a 4" insertion length, and 48" of flex-armor, type J.

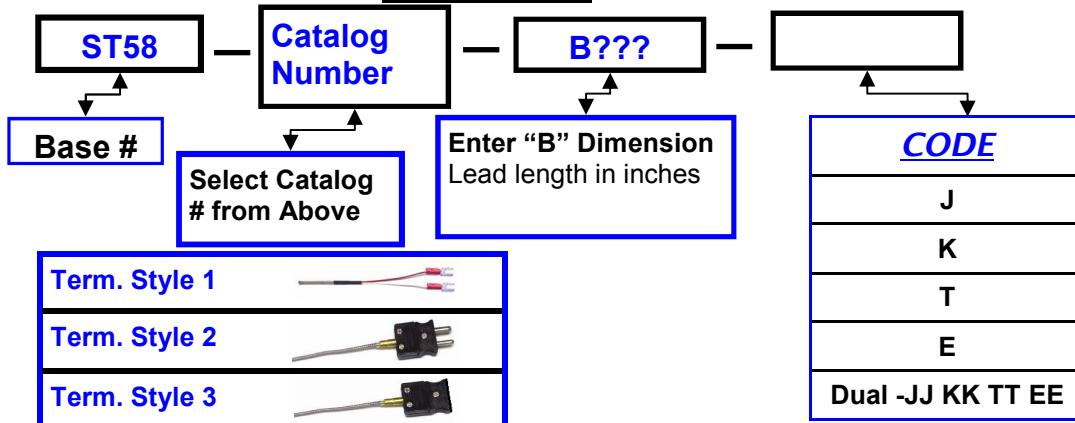


Surface Style

#6	#8	#10	1/4	5/16	3/8	<u>Termination Styles</u>
-----------	-----------	------------	------------	-------------	------------	---------------------------

 Stainless	<u>Catalog Number</u>	<u>Catalog Number</u>	<u>Catalog Number</u>	<u>Catalog Number</u>	<u>Catalog Number</u>	<u>Catalog Number</u>	<u>Term. Style</u>
	67	37	17	27	57	47	1
	68	38	18	28	58	48	2
	69	39	19	29	59	49	3
 Flex	<u>Catalog Number</u>	<u>Catalog Number</u>	<u>Catalog Number</u>	<u>Catalog Number</u>	<u>Catalog Number</u>	<u>Catalog Number</u>	<u>Term. Style</u>
	64	34	14	24	54	44	1
	65	35	15	25	55	45	2
	66	36	16	26	56	46	3
 Fiberglass	<u>Catalog Number</u>	<u>Catalog Number</u>	<u>Catalog Number</u>	<u>Catalog Number</u>	<u>Catalog Number</u>	<u>Catalog Number</u>	<u>Term. Style</u>
	70	40	20	30	60	50	1
	71	41	21	31	61	51	2
	72	42	22	32	62	52	3
 Teflon	<u>Catalog Number</u>	<u>Catalog Number</u>	<u>Catalog Number</u>	<u>Catalog Number</u>	<u>Catalog Number</u>	<u>Catalog Number</u>	<u>Term. Style</u>
	75	79	82	85	88	91	1
	76	80	83	86	89	92	2
	77	81	84	87	90	93	3

Part # Builder

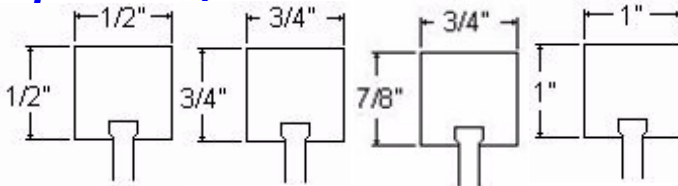


Example: ST58-17-B48-J

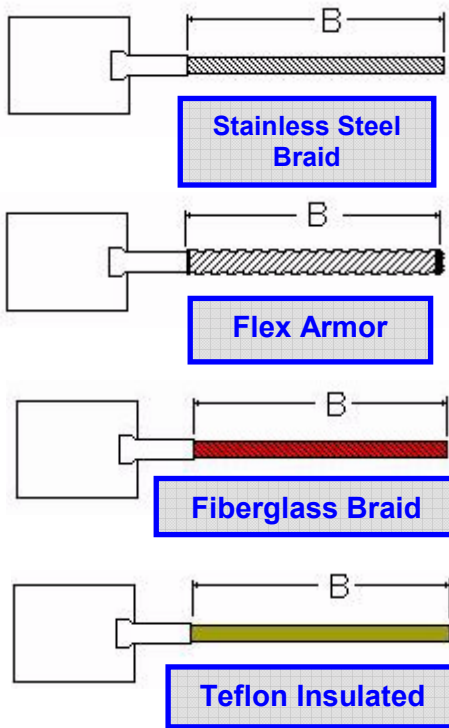
This example calls out a surface or "ring" style thermocouple, with a #10 screw hole, 48" of stainless steel braid, type J. - Add "Z175" to the end of part # for no spade lugs



Spade Style

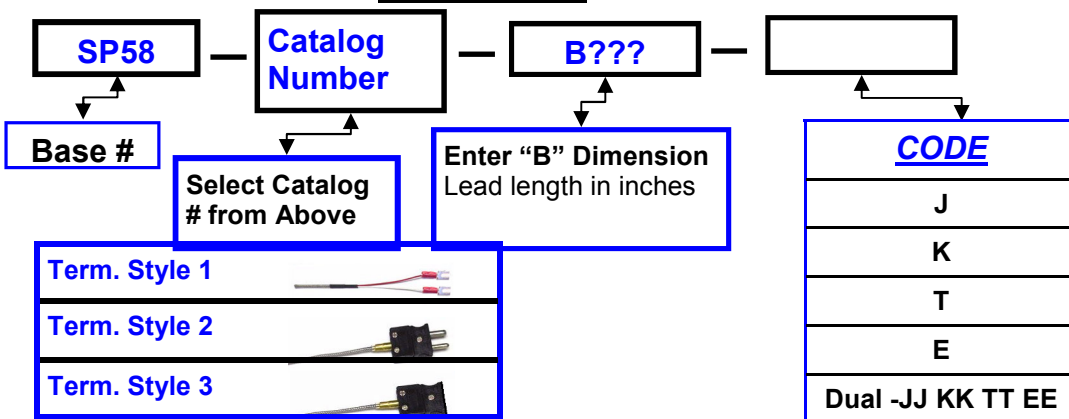


Termination Styles



Catalog Number	Catalog Number	Catalog Number	Catalog Number	Term. Style
37	17	27	1	1
38	18	28	2	2
39	19	29	3	3
34	14	24	4	1
35	15	25	5	2
36	16	26	6	3
40	20	30	7	1
41	21	31	8	2
42	22	32	9	3
50	60	70	80	1
51	61	71	81	2
52	62	72	82	3

Part # Builder



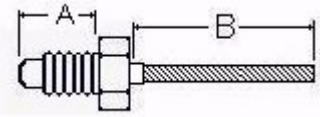
Example: SP58-37-B48-J

This example calls out a spade type thermocouple, the spade dimension is 1/2" x 1/2", 48" stainless steel braid leads, type J, grounded.- Add "Z175" to the end of part # for no spade lugs



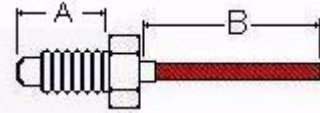
1/4-28 Bolt Style

Stainless Steel Braid



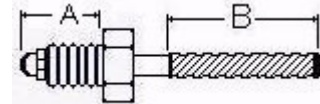
Catalog Number	Term. Style
1	1
2	2
3	3

Fiberglass



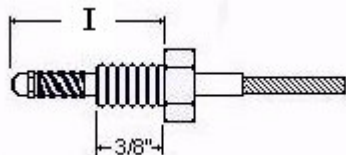
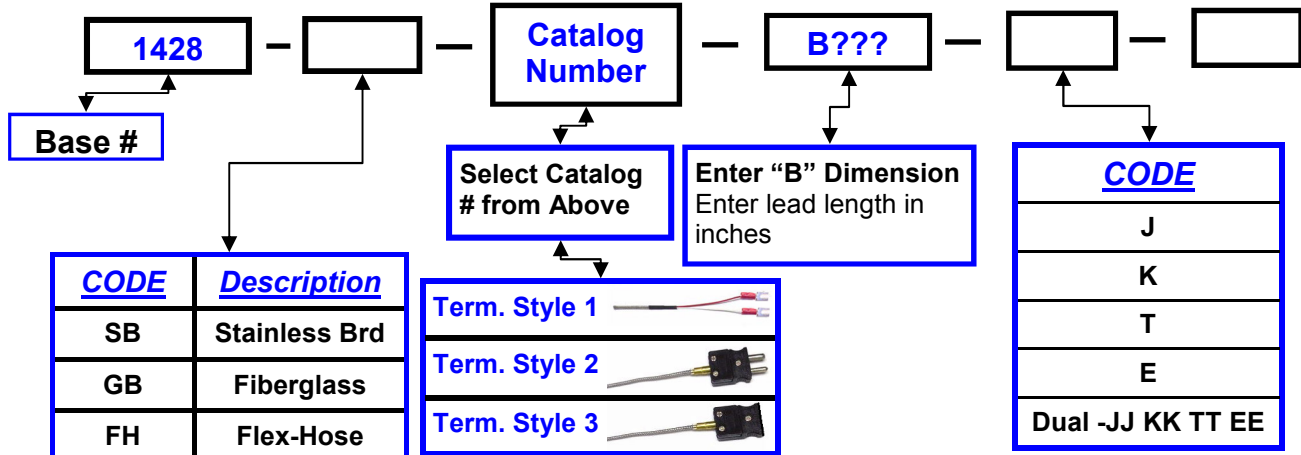
Catalog Number	Term. Style
1	1
2	2
3	3

Flex-Armor

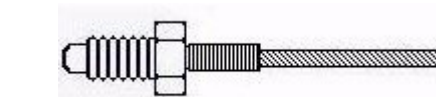


Catalog Number	Term. Style
1	1
2	2
3	3

Part # Builder



Special Spring Type
Add "S" to the end of part #



Strain Relief Type: Add "Z342" to end of

Other Bolt Sizes: 1/4-20, 6mmx1 pitch, 8mmx1.25 pitch

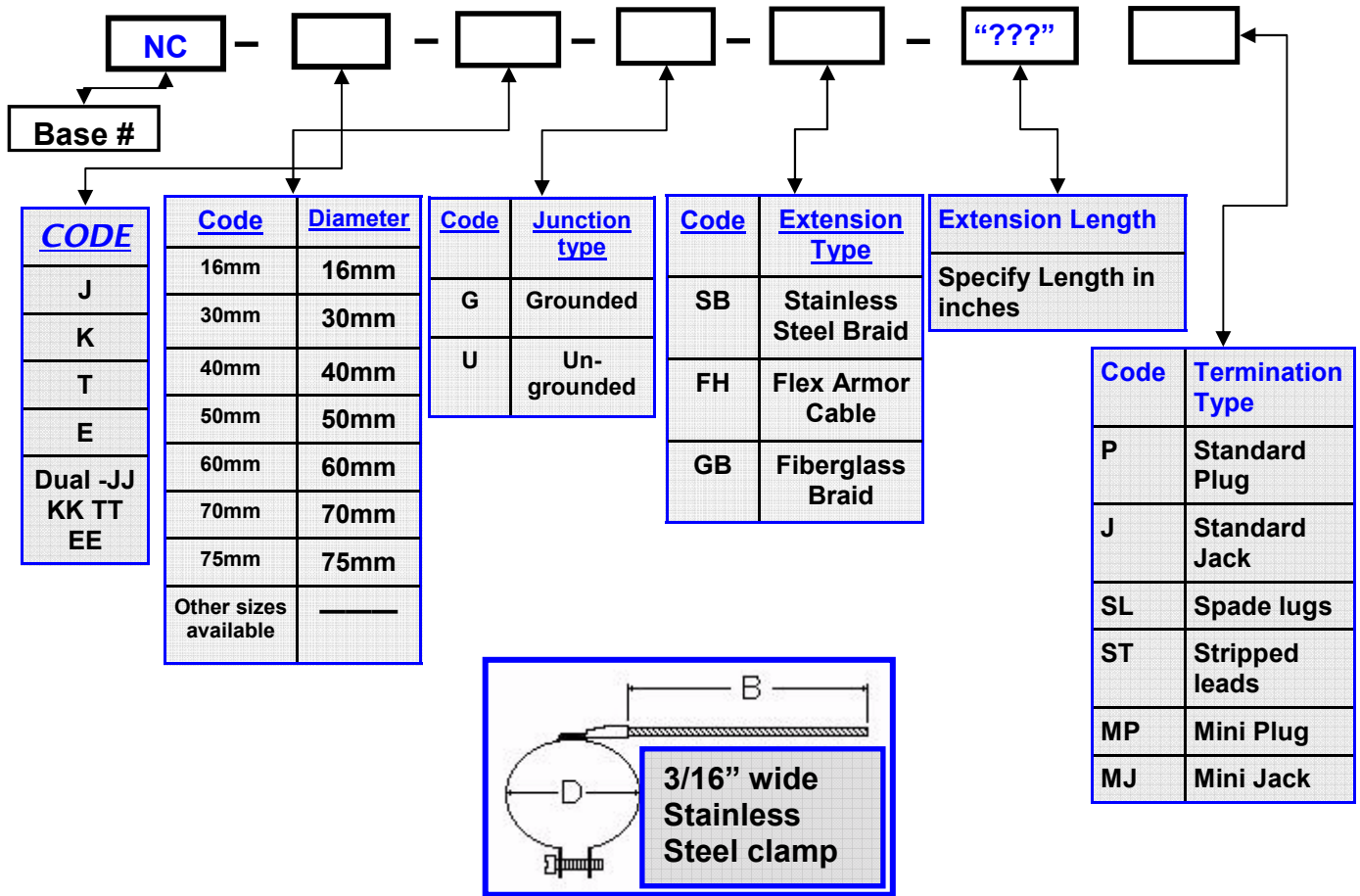
Example- 1428SB-1-B48-J

Example- 1428SB-1-B48-J-S (Special Spring type) Specify "I" dimension



Nozzle Clamp Style

Part # Builder

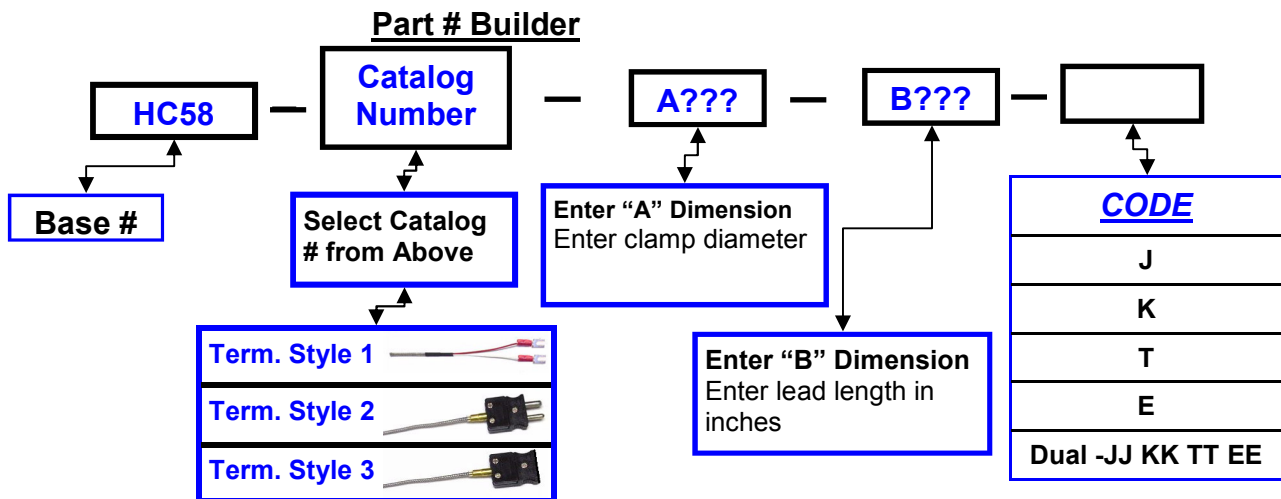


Example: NC-J-40MM-G-SB48-P
This is a 40mm ID nozzle clamp, 48" of Stainless Steel Braid, with a standard male plug.



Adjustable Hose Clamp

	<table border="1" style="width: 100%; border-collapse: collapse;"> <tr><th colspan="2" style="text-align: center;">Stainless Steel Braid</th></tr> <tr><th style="text-align: left;">Catalog Number</th><th style="text-align: left;">Term. Style</th></tr> <tr><td style="text-align: center;">37</td><td style="text-align: center;">1</td></tr> <tr><td style="text-align: center;">38</td><td style="text-align: center;">2</td></tr> <tr><td style="text-align: center;">39</td><td style="text-align: center;">3</td></tr> </table>	Stainless Steel Braid		Catalog Number	Term. Style	37	1	38	2	39	3		<table border="1" style="width: 100%; border-collapse: collapse;"> <tr><th colspan="2" style="text-align: center;">Flex-Armor</th></tr> <tr><th style="text-align: left;">Catalog Number</th><th style="text-align: left;">Term. Style</th></tr> <tr><td style="text-align: center;">34</td><td style="text-align: center;">1</td></tr> <tr><td style="text-align: center;">35</td><td style="text-align: center;">2</td></tr> <tr><td style="text-align: center;">36</td><td style="text-align: center;">3</td></tr> </table>	Flex-Armor		Catalog Number	Term. Style	34	1	35	2	36	3
Stainless Steel Braid																							
Catalog Number	Term. Style																						
37	1																						
38	2																						
39	3																						
Flex-Armor																							
Catalog Number	Term. Style																						
34	1																						
35	2																						
36	3																						
	<table border="1" style="width: 100%; border-collapse: collapse;"> <tr><th colspan="2" style="text-align: center;">Fiberglass</th></tr> <tr><th style="text-align: left;">Catalog Number</th><th style="text-align: left;">Term. Style</th></tr> <tr><td style="text-align: center;">40</td><td style="text-align: center;">1</td></tr> <tr><td style="text-align: center;">41</td><td style="text-align: center;">2</td></tr> <tr><td style="text-align: center;">42</td><td style="text-align: center;">3</td></tr> </table>	Fiberglass		Catalog Number	Term. Style	40	1	41	2	42	3		<table border="1" style="width: 100%; border-collapse: collapse;"> <tr><th colspan="2" style="text-align: center;">Teflon</th></tr> <tr><th style="text-align: left;">Catalog Number</th><th style="text-align: left;">Term. Style</th></tr> <tr><td style="text-align: center;">57</td><td style="text-align: center;">1</td></tr> <tr><td style="text-align: center;">58</td><td style="text-align: center;">2</td></tr> <tr><td style="text-align: center;">59</td><td style="text-align: center;">3</td></tr> </table>	Teflon		Catalog Number	Term. Style	57	1	58	2	59	3
Fiberglass																							
Catalog Number	Term. Style																						
40	1																						
41	2																						
42	3																						
Teflon																							
Catalog Number	Term. Style																						
57	1																						
58	2																						
59	3																						



Notes: For the "A" dimension, simply specify the inside diameter of the hose clamp

- Add "Z175" to the end of part # for no spade lugs

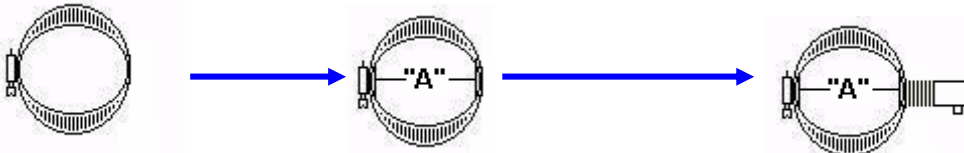
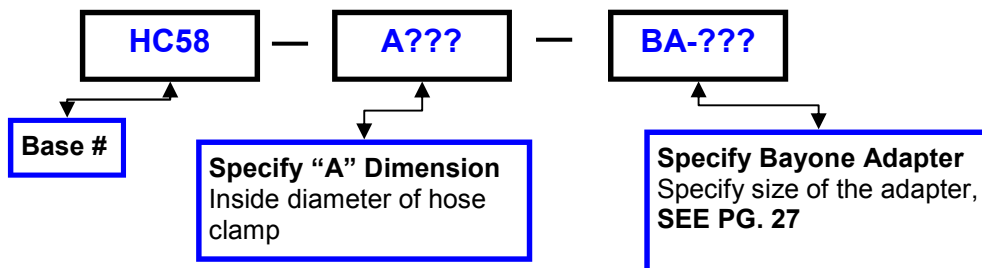
Example: HC58-37-A2-B48

This example calls out a hose-clamp style thermocouple



Hose Clamp with attached Bayonet Adapter

Part # Builder



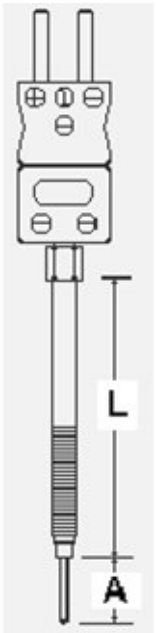
Example: HC58-A1.5-BA-1

Notes:

- For the "A" dimension, simply specify the inside diameter of the hose clamp
- Choose from our wide variety of bayonet adapters on **pg. 27**
- If you don't see what you need, please contact your local representative



Meltbolt Rigid Style



Fiberglass Insulated	Mineral Insulated	"A" length	"L Length
Catalog Number	Catalog Number	Probe Length	Bolt Length
MT28-1	MT28-1M	Flush	3"
MT28-2	MT28-2M	1/4"	3"
MT28-3	MT28-3M	1/2"	3"
MT28-4	MT28-4M	3/4"	3"
MT28-5	MT285M	1"	3"
MT28-6	MT28-6M	Flush	6"
MT28-7	MT28-7M	1/4"	6"
MT28-8	MT28-8M	1/2"	6"
MT28-9	MT28-9M	3/4"	6"
MT28-10	MT28-10M	1"	6"

Other Bolt Sizes and Probe lengths available

When building a part number:

Specify:

- 1) Catalog number
- 2) Specify "A" dimension (see diagram)
- 3) Specify "L" dimension (see diagram)
- 4) ISA calibration

Example: MT28-1-A0-L3-J
This example calls out a rigid style meltbolt thermocouple, 3" long, flush tip, grounded junction, type J.

Notes:

- Calibration is ISA standard grade type "J", others can be furnished on request.
- Thermocouple junction is grounded, for ungrounded, add "U"
- For **adjustable length melt bolts (see pg. 21)**

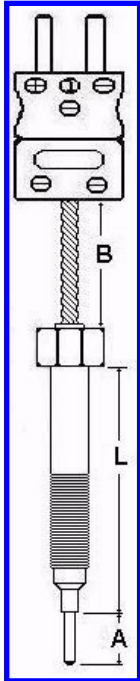
Optional Notes:

Consult ECS for.....

- Other "A" (probe) lengths and or "L"(bolt) lengths
- Larger tip diameters



Meltbolt Extension Style



Fiberglass Insulated	Mineral Insulated	“A” length	“L Length
Catalog Number	Catalog Number	Probe Length	Bolt Length
MT28-21	MT28-21M	Flush	3”
MT28-22	MT28-22M	1/4”	3”
MT28-23	MT28-23M	1/2”	3”
MT28-24	MT28-24M	3/4”	3”
MT28-25	MT28-25M	1”	3”
MT28-26	MT28-26M	Flush	6”
MT28-27	MT28-27M	1/4”	6”
MT28-28	MT28-28M	1/2”	6”
MT28-29	MT28-29M	3/4”	6”
MT28-30	MT28-30M	1”	6”

Other Bolt Sizes and Probe lengths available

When building a part number:

Specify:

- 1) Catalog number
- 2) Specify “A” dimension (see diagram)
- 3) Specify “L” dimension (see diagram)
- 4) Specify “B” length, Standard is 4”
- 5) ISA calibration

Notes:

- Calibration is ISA standard grade type “J”, others can be furnished on request.
- Thermocouple junction is grounded, for ungrounded, add “U”

Optional Notes:

Consult ECS for.....

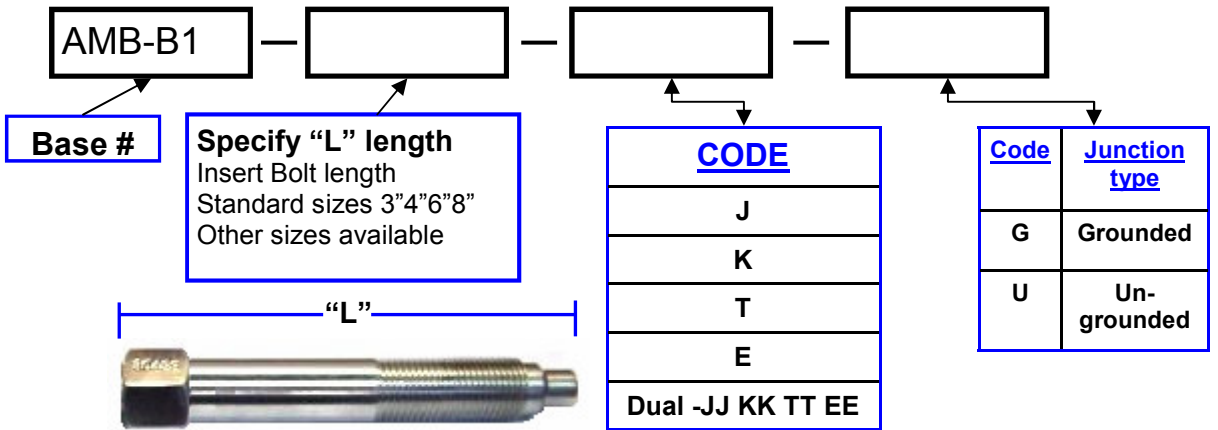
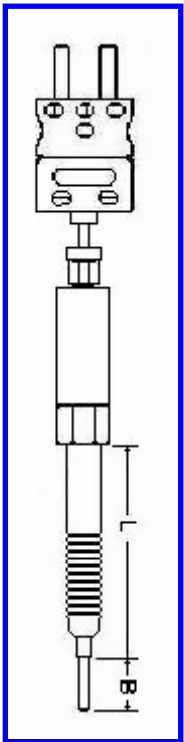
- Other “A” (probe) lengths and or “L”(bolt) lengths
- Larger tip diameters

Example: MT28-21-A0-L3-J
This example calls out a flush tip, 3” meltbolt, with 4” of flex-armor hose, type J, with a grounded junction, and standard male plug



Adjustable Meltbolt Style

Part # Builder



Example: AMB-B1-L3-J-U
 This example is a Meltbolt style thermocouple with an adjustable length tip that adjusts from flush to 1". The length "L" is 3" and is a type "J", ungrounded.

Notes:

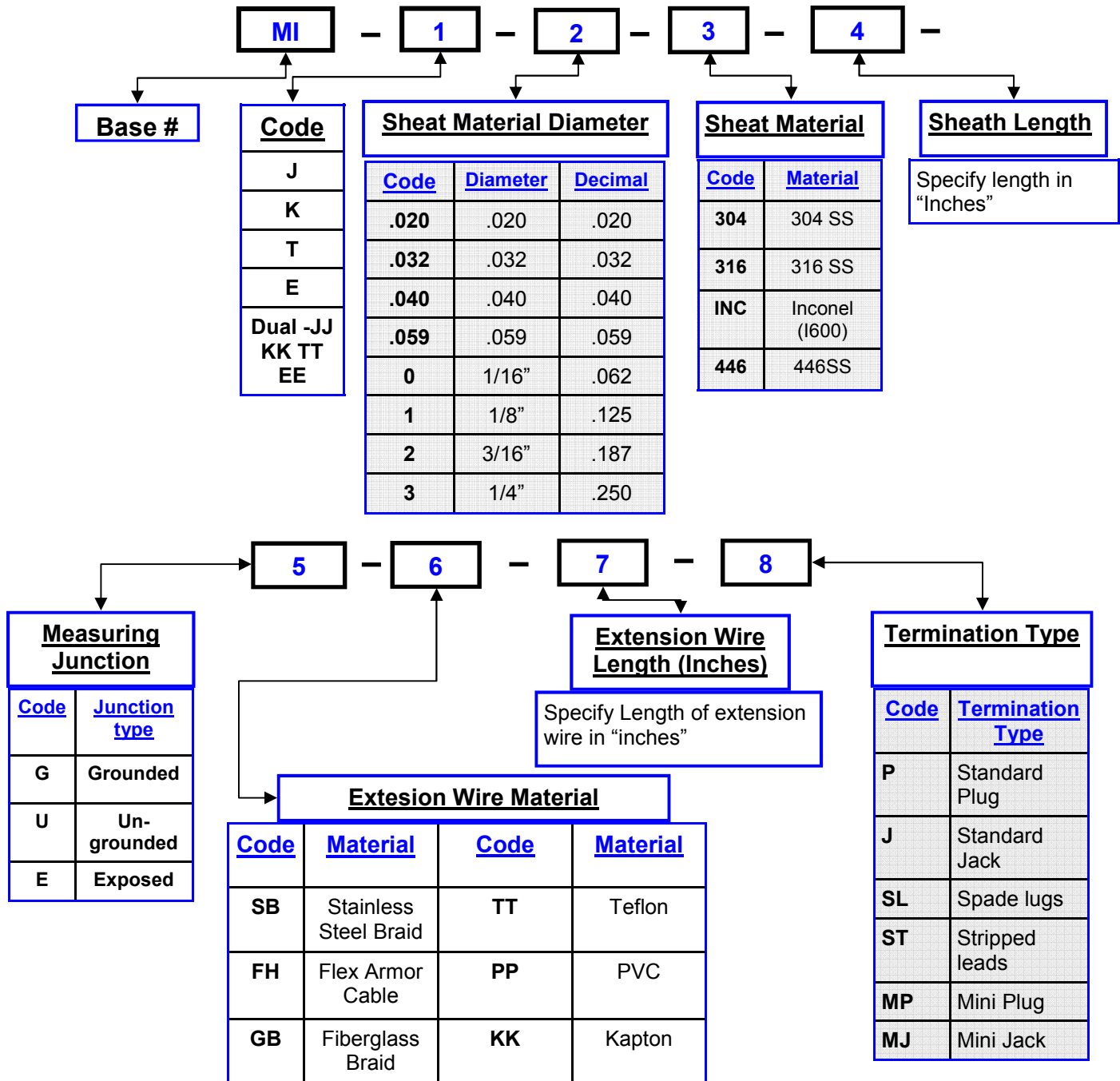
-Thermocouple junction is typically grounded for this type, for "ungrounded" add "U" at the end of the part number.

-This thermocouple adjusts from a flush tip to a 1" tip.



Mineral Insulated Extension Style

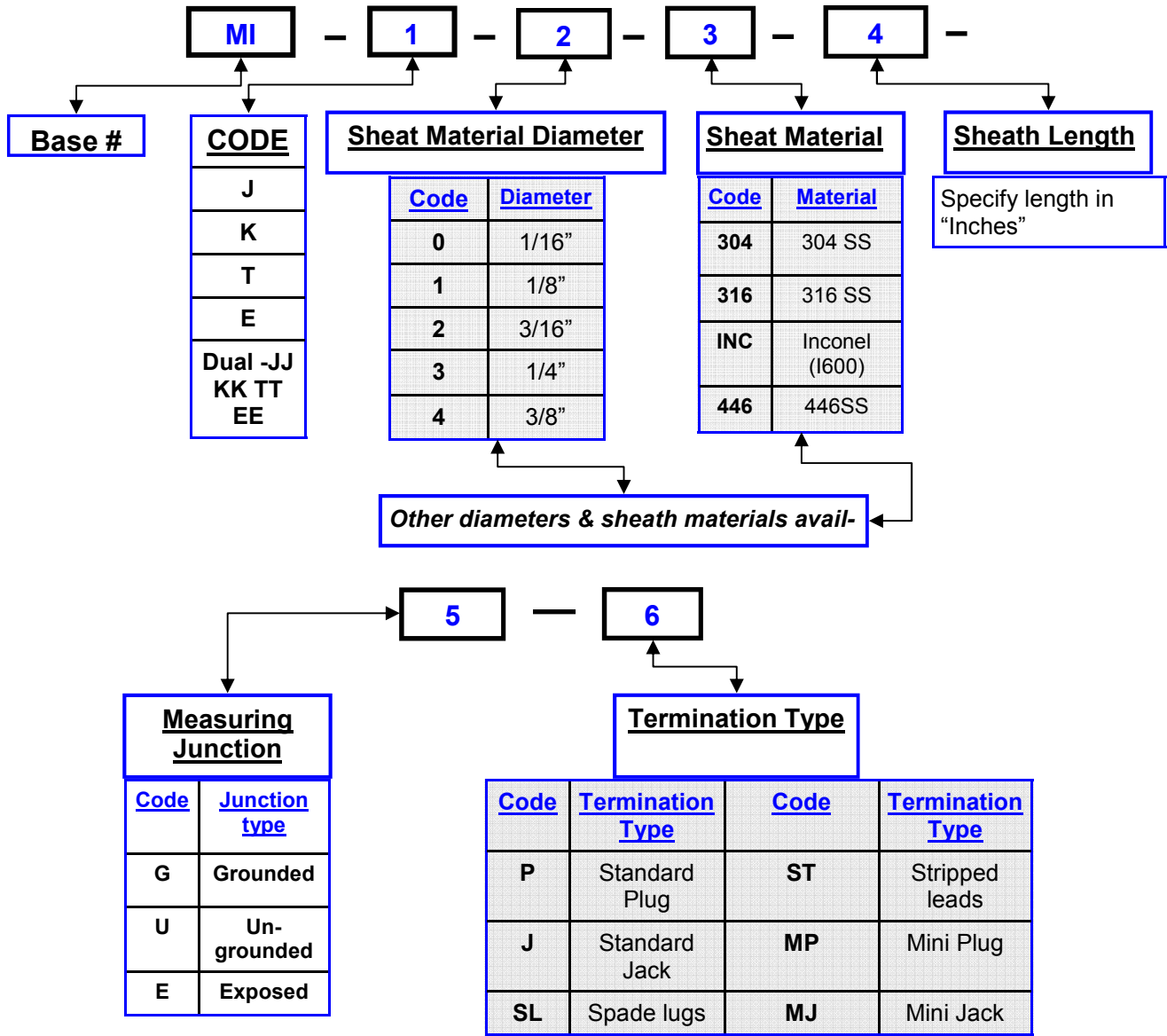
Part # Builder





Mineral Insulated Rigid Style

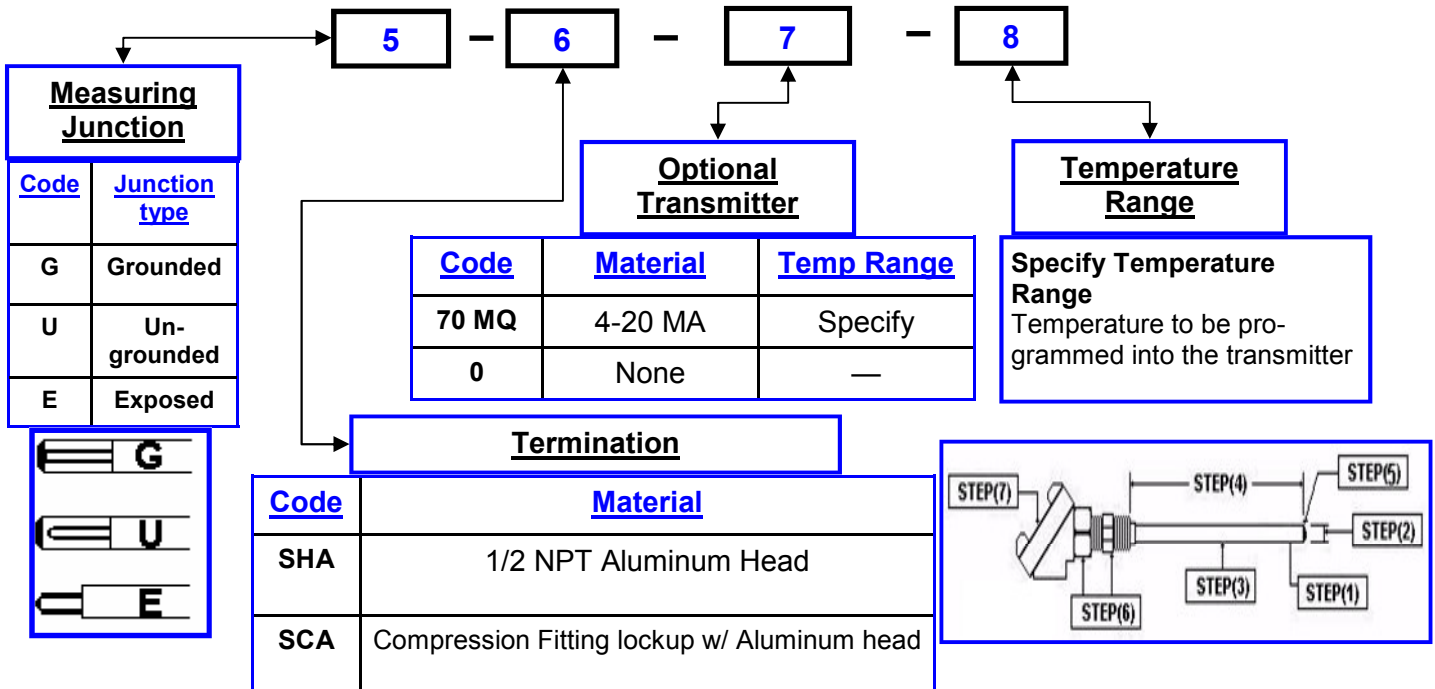
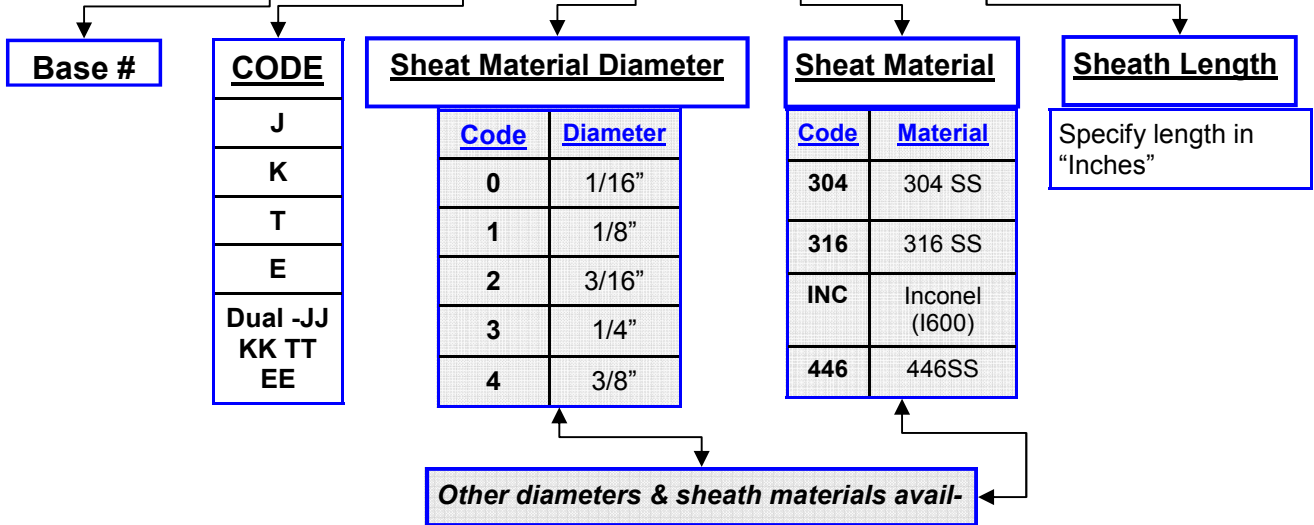
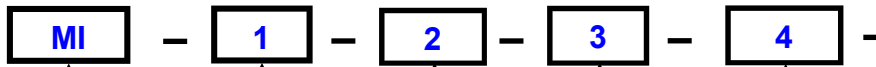
Part # Builder





Rigid Style MGO w/Head

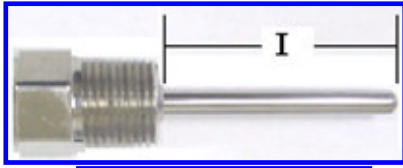
Part # Builder



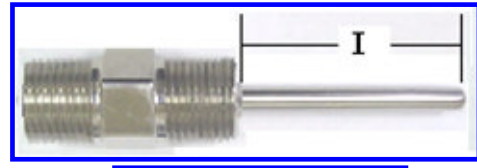
Other Sheath diameters available Other heads available
Other Sheath materials available For Custom applications please call



Attached Thermocouple Fittings



Hex Bushings



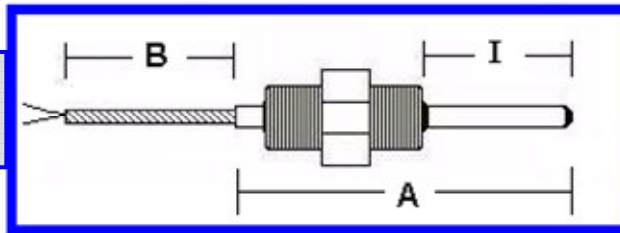
Hex Couplings

Code	Description	Material
SB1	1/8" NPT	Stainless
SB2	1/4" NPT	Stainless
SB3	1/2" NPT	Stainless
SB4	3/4" NPT	Stainless
BB1	1/8" NPT	Brass
BB2	1/4" NPT	Brass
BB3	1/2" NPT	Brass
BB4	3/4" NPT	Brass

Code	Description	Material
SC1	1/8" NPT	Stainless
SC2	1/4" NPT	Stainless
SC3	1/2" NPT	Stainless
SC4	3/4" NPT	Stainless
BC1	1/8" NPT	Brass
BC2	1/4" NPT	Brass
BC3	1/2" NPT	Brass
BC4	3/4" NPT	Brass

Example: CT38-1-A4-B48-J-SC2-I2"

SEE PAGE 8 FOR THERMOCOUPLE INFORMATION



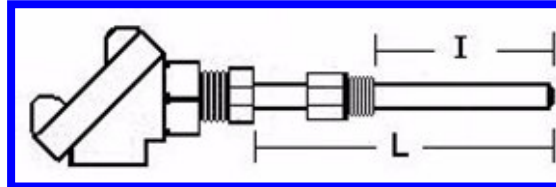
Note:

Most fittings can be attached to any probe.
See pages: 8,9,10,11,12

NOTE: This example calls out a compression type thermocouple with an overall probe length ("A") of 4", 48" of stainless steel braid ("B"), type J. It has a 1/4" NPT coupling with an insertion depth ("I") of 2"

Example: MI-J-3-304-12-G-SC-BB3-I6"

SEE PAGE 22 FOR THERMOCOUPLE INFORMATION



Note:

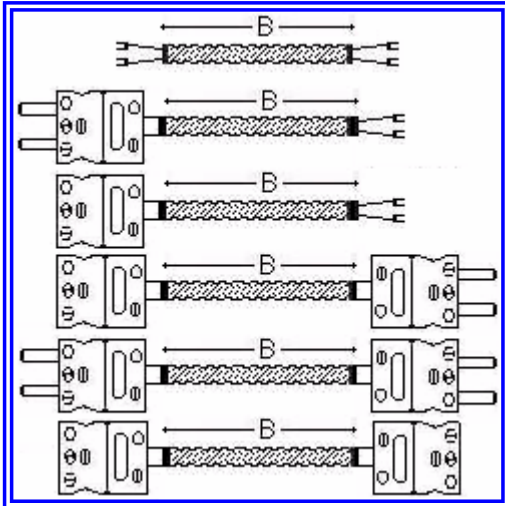
Most fittings can be attached to any probe.
See pages: 27

NOTE: This example calls out a mineral insulated thermocouple, type J, 1/4" diameter, composed of 304 stainless steel. The overall length of the probe ("L") is 12", it is a grounded unit, with a brass bushing, 1/2" NPT, with an insertion length ("I") of 6".



Thermocouple Extension Cables

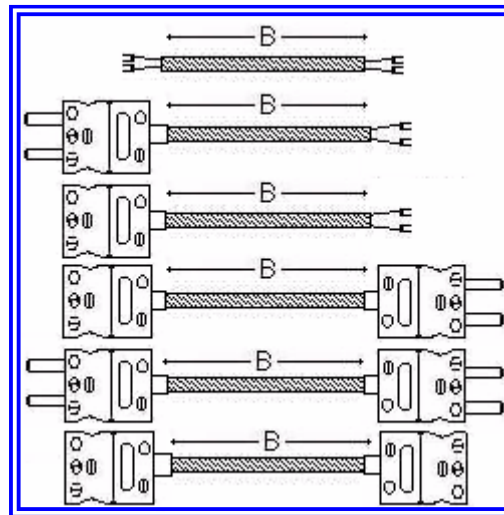
Flex-Armor Style Extension Cables



Catalog Number

- 1
- 2
- 3
- 4
- 5
- 6

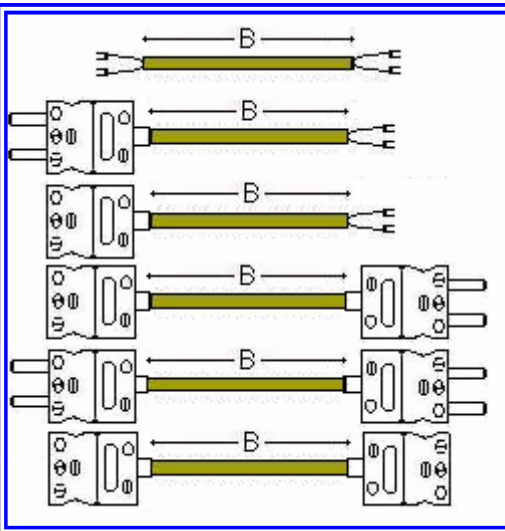
Stainless Braid Style Extension Cables



Catalog Number

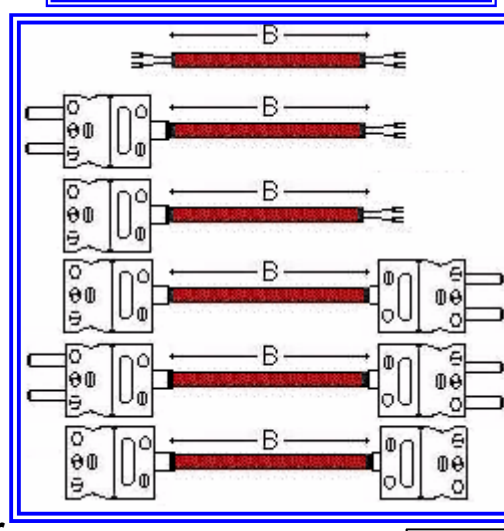
- 7
- 8
- 9
- 10
- 11
- 12

Teflon Style Extension Cables



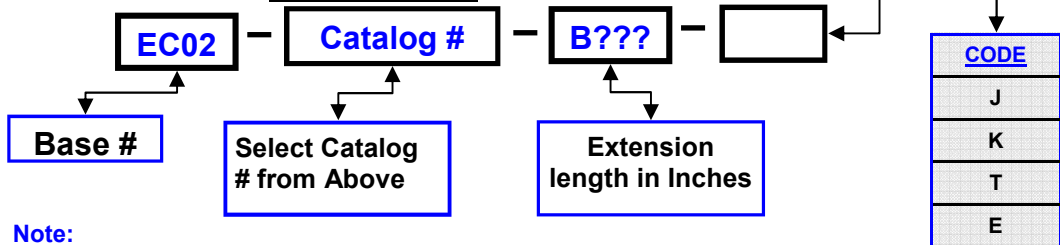
- 21
- 22
- 23
- 24
- 25
- 26

Fiberglass Style Extension Cables



- 27
- 28
- 29
- 30
- 31
- 32

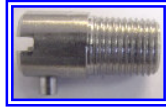
Part # Builder



Note:
- We have other extension material available

Thermocouple Accessories

Bayonet Adapters



<u>Code</u>	<u>Length</u>	<u>Thread</u>
BA-1	7/8"	(1/8-27 NPT)
BA-2	7/8"	3/8-24
BA-3	1-1/2"	(1/8-27 NPT)
BA-4	1-1/2"	3/8-24
BA-5	2-1/2"	(1/8-27 NPT)
BA-6	2-1/2"	3/8-24
BA-7	3-1/2"	(1/8-27 NPT)
BA-8	3-1/2"	3/8-24

Compression Fit-



<u>Code</u>	<u>Tube "OD"</u>	<u>Thread</u>	<u>Material</u>
CF-1	1/8"	1/8"-27NPT	Brass
CF-2	1/8"	1/8"-27NPT	Stainless
CF-3	3/16"	1/8"-27NPT	Brass
CF-4	3/16"	1/8"-27NPT	Stainless
CF-5	1/4"	1/4"-18NPT	Brass
CF-6	1/4"	1/4"-18NPT	Stainless

Compression fittings slip over tip for mounting and sealing into vessels

Thermocouple Wire



<u>Catalog #</u>	<u>Gauge</u>	<u>Type</u>	<u>Wire</u>	<u>Conductor Insulation</u>	<u>Overall Insulation</u>
TW-1	20	J	STRANDED	FIBERGLASS	FIBERGLASS
TW-2	20	J	STRANDED	FIBERGLASS	STAINLESS BRAID
TW-3	24	J	SOLID	FIBERGLASS	FIBERGLASS
TW-4	20	J	SOLID	TEFLON	TEFLON
TW-5	20	J	SOLID	FIBERGLASS	FIBERGLASS
TW-6	20	K	SOLID	FIBERGLASS	FIBERGLASS
TW-7	24	K	SOLID	FIBERGLASS	FIBERGLASS
TW-8	20	T	SOLID	FIBERGLASS	FIBERGLASS
TW-9	24	T	SOLID	FIBERGLASS	FIBERGLASS
TW-10	20	E	SOLID	FIBERGLASS	FIBERGLASS
TW-11	20	K	SOLID	FIBERGLASS	STAINLESS BRAID
TW-12	20	K	STRANDED	FIBERGLASS	FIBERGLASS
TW-13	24	K	SOLID	FIBERGLASS	STAINLESS BRAID
TW-14	20	KX	SOLID	PVC	PVC
TW-15	16	KX	SOLID	PVC	PVC
TW-16	20	JX	SOLID	PVC	PVC

Note: We have several other wire types available and in stock. If you don't see what you need above please don't hesitate to call us

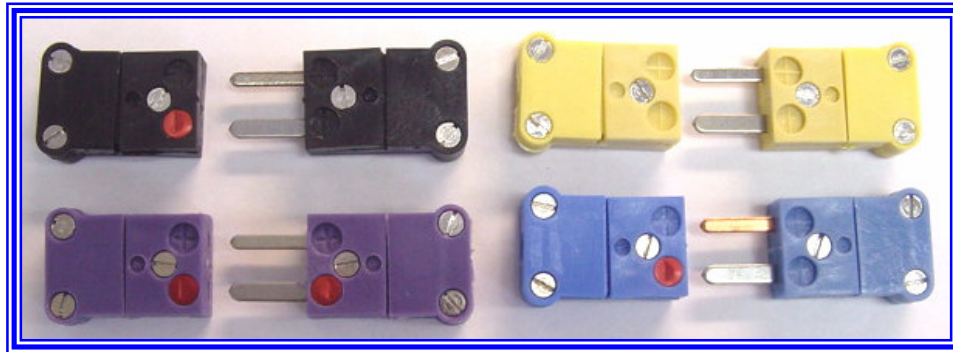


Standard Thermocouple Plugs and Jacks

When ordering ECS plugs and jacks..... TP= Male plug, TJ= Female jack

<u>Code</u>	<u>Type</u>	<u>Color</u>
TP-1	J	Black
TP-2	K	Yellow
TP-3	T	Blue
TP-4	R\S	Green
TP-5	E	Purple

<u>Code</u>	<u>Type</u>	<u>Color</u>
TJ-1	J	Black
TJ-2	K	Yellow
TJ-3	T	Blue
TJ-4	R\S	Green
TJ-5	E	Purple



Mini Thermocouple Plugs and Jacks

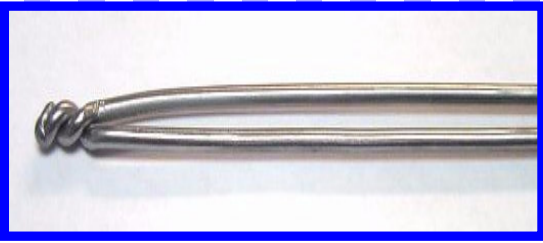
When ordering ECS plugs and jacks....."M" is mini, TP= Male plug, TJ= Female jack

<u>Code</u>	<u>Type</u>	<u>Color</u>
TP-1M	J	Black
TP-2M	K	Yellow
TP-3M	T	Blue
TP-4M	R\S	Green
TP-5M	E	Purple

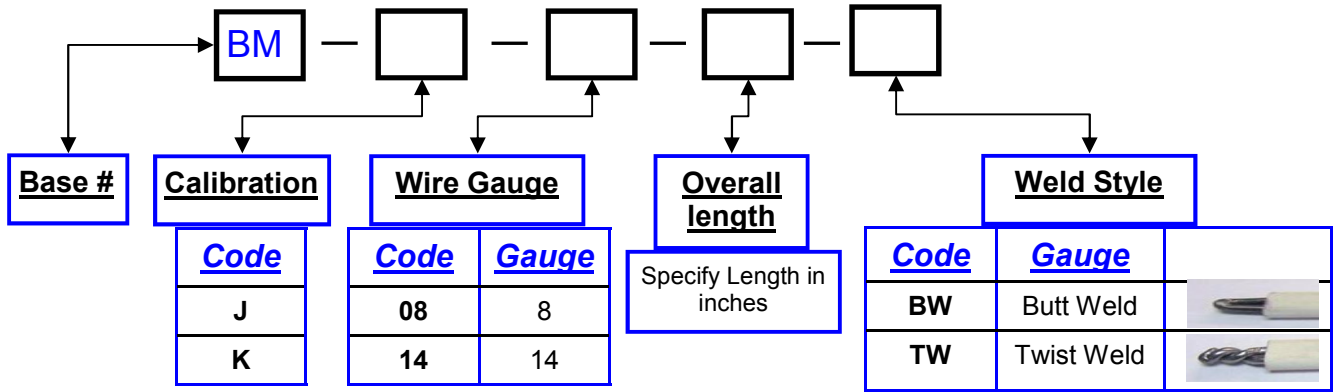
<u>Code</u>	<u>Type</u>	<u>Color</u>
TJ-1M	J	Black
TJ-2M	K	Yellow
TJ-3M	T	Blue
TJ-4M	R\S	Green
TJ-5M	E	Purple

NOTES:

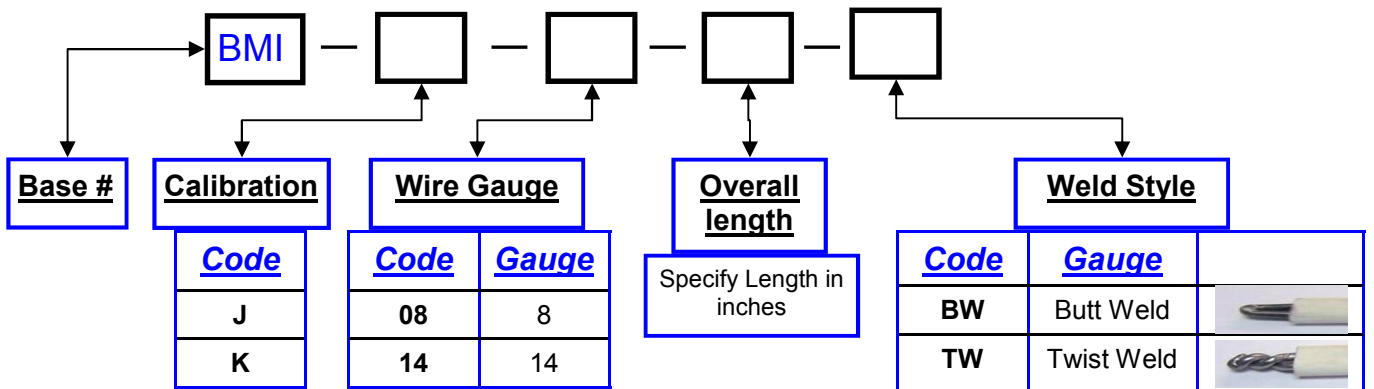
- These are just a few of our most popular types of plugs
- If there is a type of plug or jack that you don't see above please contact a representative.
- There are many other thermocouple plugs and jacks available.



BM



BMI



Notes:
2" leads is standard for "BMI" type



Tapered Step Thermowell

TO ORDER TW- _____ **-** _____ **-** _____ **THERMOWELL**

P S U

SPECIFY THE LETTER IN PICTURE

EXAMPLE
TW-P1/2-S304-U7.5

P= 1/2"NPT OR 3/4"NPT
S= 304SS OR 316SS
U= INSERTION

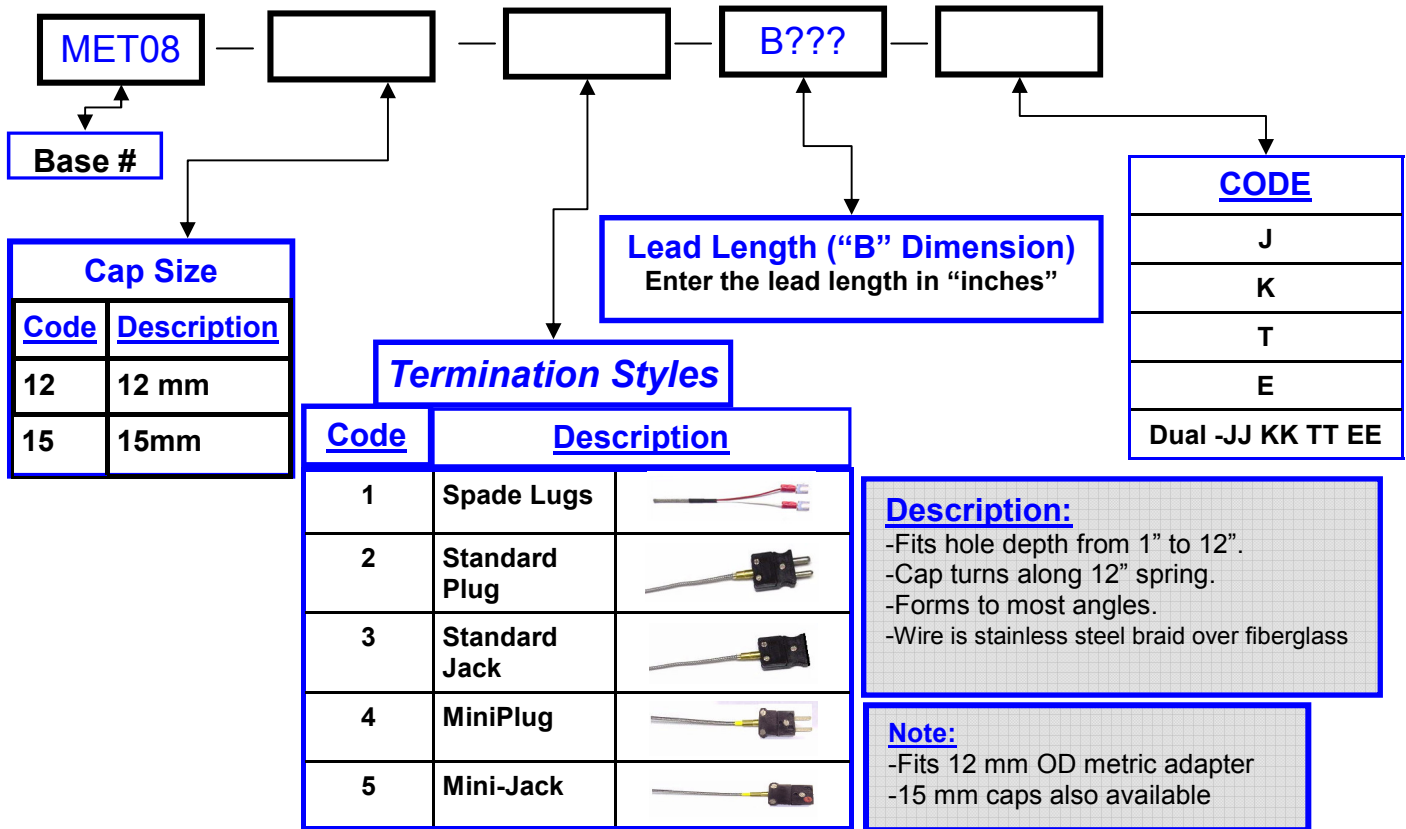
M= .260"BORE
P= SPECIFY
Q= 49/64" OD
S= SPECIFY
T= 3/4"
U= SPECIFY

Note: The following dimensions are fixed. "M" (.260 Bore)
 "Q" (49/64"OD This is Standard) "T" (3/4" Height of the Hex) Just
 Specify: "P,S,and U" dimensions.



12-mm Metric Adjustable length Spring Bayonet Style

Part # Builder



Notes:

- Stainless steel construction with 20-gauge stranded fiberglass insulated wire.
- The probe tip is 3/16" diameter and our standard unit is approximately 3/8" long but can be made longer.
- Adapters are NOT furnished with the thermocouples and must be ordered separately. (See page 27)
- The locking cap on this unit has a double "J" slot

Optional Notes:

For other wire construction types, consult a sales engineer.

Add "U" to the end of the part # for ungrounded

- Add "Z175" to the end of part # for no spade lugs

Example: MET08-1-B48-J

The example calls out a metric adjustable length spring bayonet style, split leads with spade lugs, 48" long stainless steel braided leads, type "J" calibration, grounded junction



12mm Metric Miniature Adjustable Length Flex-Armor Bayonet Style

Part # Builder



Base #

Lead Length ("B" Dimension)
Enter the lead length in "inches"

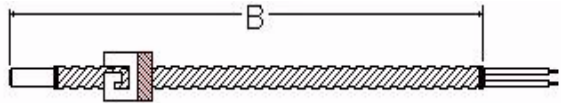
CODE
J
K
T
E
Dual -JJ KK TT EE

Termination Styles

Code	Description	
14	Spade Lugs	
15	Standard Plug	
16	Standard Jack	
17	MiniPlug	
18	Mini-Jack	

Please note:
Flex armor .210" OD
Probe 1/8" OD

- The hose compresses like a spring.
- The caps turn along the entire length of the



Notes:

- Stainless steel construction with 24-gauge stranded fiberglass insulated wire.
- The probe tip is 1/8" diameter and our standard unit is approximately 1/2" long but can be made longer.
- Adapters are NOT furnished with the thermocouples and must be ordered separately. (See page 27)
- Fits 12 mm OD metric adapter(2 "J" slots)

Optional Notes:

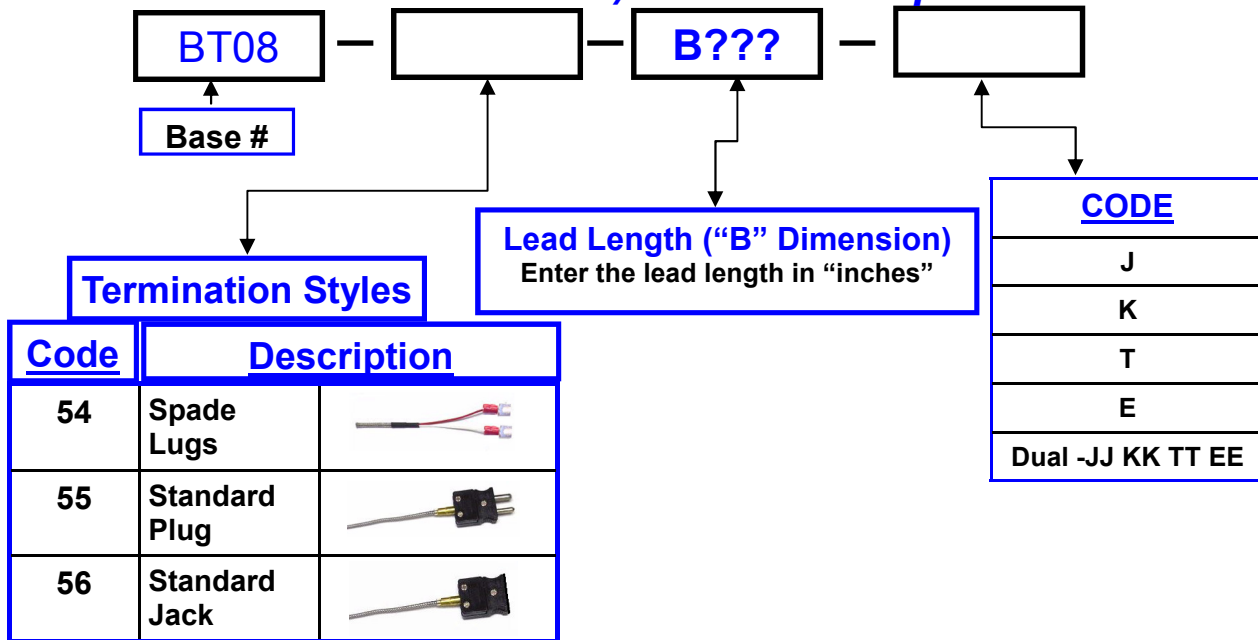
- For other wire construction types, consult a sales engineer.
- Add "U" to the end of the part # for ungrounded
- Add "Z175" to the end of part # for no spade lugs




Example: MET08-14-B48-J

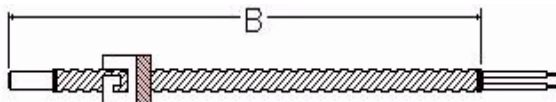
The example calls out a 1/8" OD, miniature adjustable type, 48" long mini armor cable, type "J" calibration, grounded junction, with 3" leads and spade lugs.



**Adjustable Length Bayonet Style .240 Diameter
Flex-Armor w/Standard Cap**



Code	Description
54	Spade Lugs 
55	Standard Plug 
56	Standard Jack 



Description:
 The hose compresses like a spring.
 The caps turn along the entire length of the hose.
 These units fit our standard bayonet adapters

Construction Notes:

- Stainless steel construction with 20-gauge fiberglass insulated wire stranded.
- Probe tip is 4-mm diameter tube and is approximately 3/8" long.
- Thermocouples are furnished grounded.
- Adapters are NOT furnished with thermocouple and must be ordered separately.

Optional Notes:

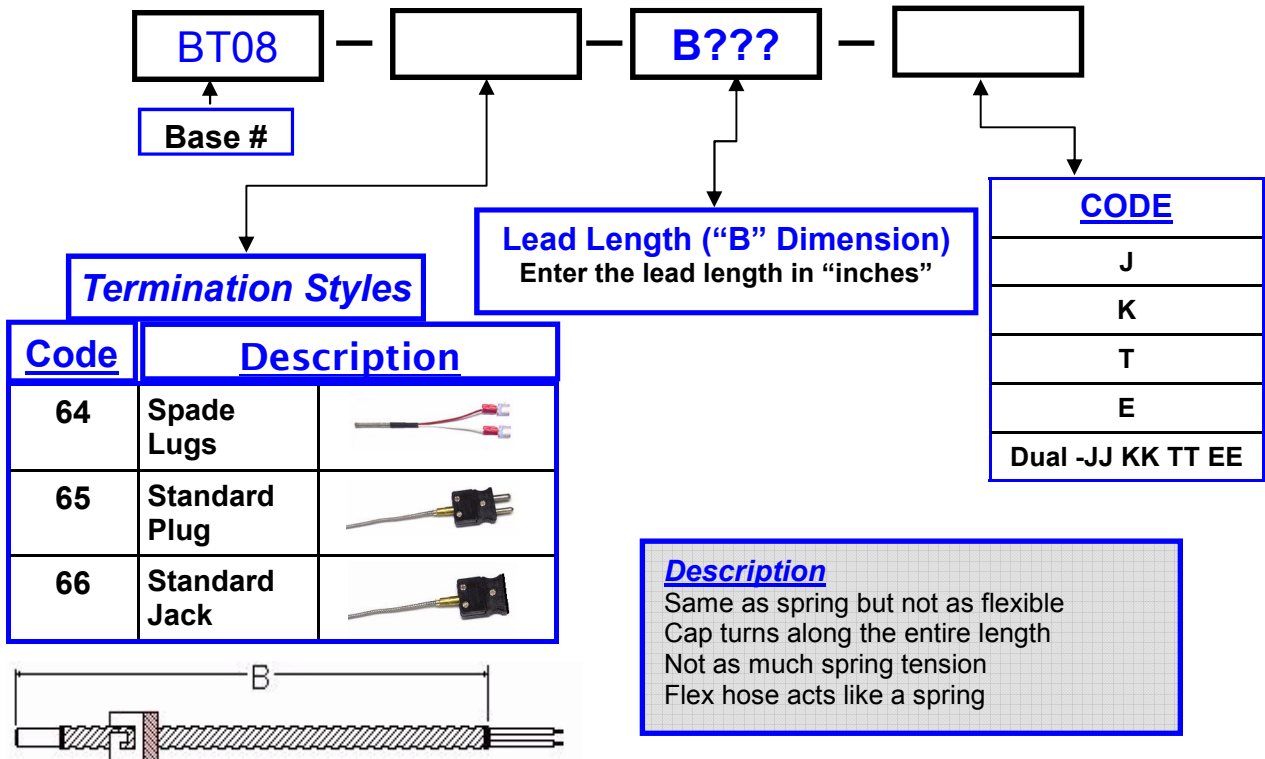
- For other wire constructions types, consult a sales engineer.
- For 12mm metric cap consult
- Please call representative if you do not see what you need above
- Add "Z175" to the end of part # for **no spade lugs**

Example: BT08-54-B48-J

The example calls out a .240 OD adjustable length flex armor bayonet style, 48" leads, Type "J" calibration, grounded junction, with 4" leads and spade lugs.



Adjustable Length Bayonet Style .240 Diameter Flex-Armor Hose W/P Cap



Construction Notes:

- Stainless steel construction with 20-gauge fiberglass insulated wire stranded.
- Probe tip is 4-mm diameter tube and is approximately 3/8" long.
- Thermocouples are furnished grounded.
- Adapters are NOT furnished with thermocouple and must be ordered separately.

Optional Notes:

- For other wire constructions types, consult a sales engineer.
- Please call your representative if you do not see what you need above
- Add "Z175" to the end of part # for **no spade lugs**

Example: BT08-64-B48-J

The example calls out a .240 adjustable length flex armor bayonet style, 48" leads, Type "J" calibration, grounded junction, with 3" leads and spade lugs.