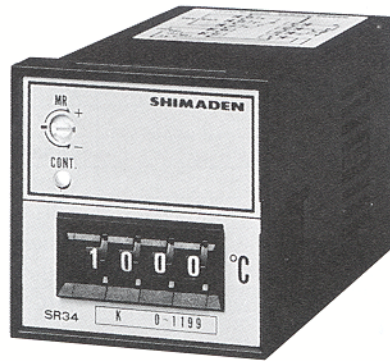


DIGITAL CONTROLLER

SERIES SR34

- DIN Size 48 (H) × 48 (W) mm
- Digital Setting
- Easy Installation



SPECIFICATIONS

Display Type		Control Output:	
SR34:	No display	Contact:	240V AC, 1A / inductive load, 2.5A / resistive load
Setting Type=Accuracy:	Digital / $\pm 1.5\%$ FS	SSR Voltage:	12V DC, 20mA max. (reverse action)
Input:		Power Consumption:	Approx. 3VA
R.T.D.:	Pt100	Operating Ambient	
Amperage:	2mA	Temperature Range:	-10~50°C
Lead wire tolerable		Operating Ambient	
resistance:	2 Ω max. / wire	Humidity:	90% RH max.
Thermocouple:	J, K, L, R, S	Insulation Resistance:	500V DC, 20M Ω min. between the input and power supply terminals
Cold junction temperature		Dielectric Strength:	1 min. at 500V AC between the input and power supply terminals
compensation range:	5~45°C	External Dimensions:	48 (H) × 48 (W) × 100 (D) mm (90mm behind the panel)
Input resistance:	200k Ω	Installation:	Lock-in mounting type (no mounting hardware necessary)
External resistance:	100 Ω max.	Panel Cutout:	45 (H) × 45 (W) mm
Burnout circuit:	Standard	Panel Thickness:	1.0~3.5mm
Control Mode:		Weight:	Approx. 210g
On / Off=Sensitivity (S)	0.3% FS fixed		
Proportioning=			
Proportional Band (PB):	4% FS fixed		
Manual reset (MR):	Adjustable from front face		
Proportioning cycle:	Approx.30 sec. (Contact output) Approx. 3 sec. (SSR voltage)		

ORDERING INFORMATION

ITEMS	CODE		SPECIFICATIONS
SERIES	SR34-		Digital Temperature Controller Without Display
INPUT	1		Thermocouple, Input Resistance: 200kΩ
	2		R.T.D. (Pt100), Amperage: 2mA
	3		Voltage, 0~10mV DC linear, Impedance: 200kΩ
	4		Current, 4~20mA DC linear, Receiving Impedance: 250Ω
	9		Others (Please consult before ordering.)
CONTROL MODE	01		Proportioning (PB): 4% FS, w / Manual reset (MR)
	02		On / Off (2-position), Sensitivity (S): 0.3% FS Fixed
	99		Others (Please consult before ordering.)
CONTROL OUTPUT	Y-		Contact, 240V AC, 1A / Inductive Load, 2.5A / Resistive load
	P-		SSR voltage, 12V DC / RA, Max. current: 20mA
	X-		Others (Please consult before ordering.)
POWER SUPPLY	11-		100~110V / 200~220V AC ±10%, 50 / 60Hz
	12-		110~120V / 220~240V AC ±10%, 50 / 60Hz
	99-		Others (Please consult before ordering.)
INPUT STANDARD	J		JIS
	D		DIN
	F		JIS (New Pt100-JIS)
	A		ANSI
	X		Others (Please consult before ordering.)
TYPE OF INPUT	J		Thermocouple (J)
	K		Thermocouple (K)
	Q		Thermocouple (L) (DIN 43710)
	R		Thermocouple (R)
	S		Thermocouple (S)
	P		R.T.D. (Pt100)
	X		Others (Please consult before ordering.)
MEASURING RANGE	□□□		See Measuring Range Codes.
LEGEND	N		None
	C		°C Temperature
	F		°F Temperature
	X		Others (Please consult before ordering.)
REMARKS	0		Without
	9		With (Please consult before ordering.)

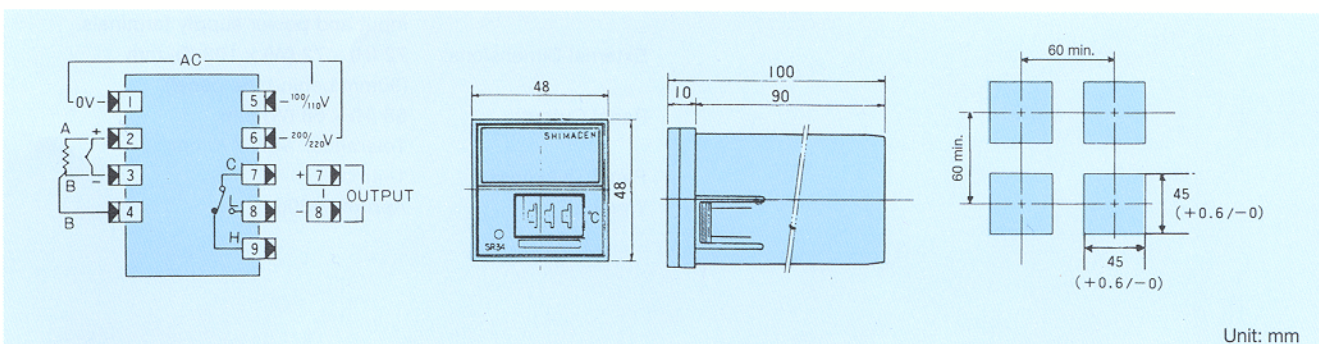
MEASURING RANGE CODES

INPUT	RANGE	CODE
R.T.D. (Pt100)	-99~ +99°C	576
	0~ 99.9°C	781
	0~ 399°C	792
Thermocouple	J 0~ 399°C	792
	L 0~ 399°C	792
	K 0~ 399°C	792
	K 0~ 999°C	874
	S *1 0~1699°C	885
	R *1 0~1699°C	885

INPUT	RANGE	CODE
R.T.D. (Pt100)	0~ 399°F	792
	0~ 799°F	871
	*2 0~ 499°F	795
Thermocouple	J 0~ 799°F	871
	K 0~ 999°F	874
	K 0~1999°F	887
	R *3 0~2999°F	893
Voltage / Current	0~ 99.9	781
	0~ 499	795
	0~ 999	874

*1 Standard Accuracy Range: 700~1699°C
 *2 Accuracy will be ±2.0% FS+1 digit
 *3 Standard Accuracy Range: 1300~2999°F

TERMINAL ARRANGEMENT & EXTERNAL DIMENSIONS



Unit: mm